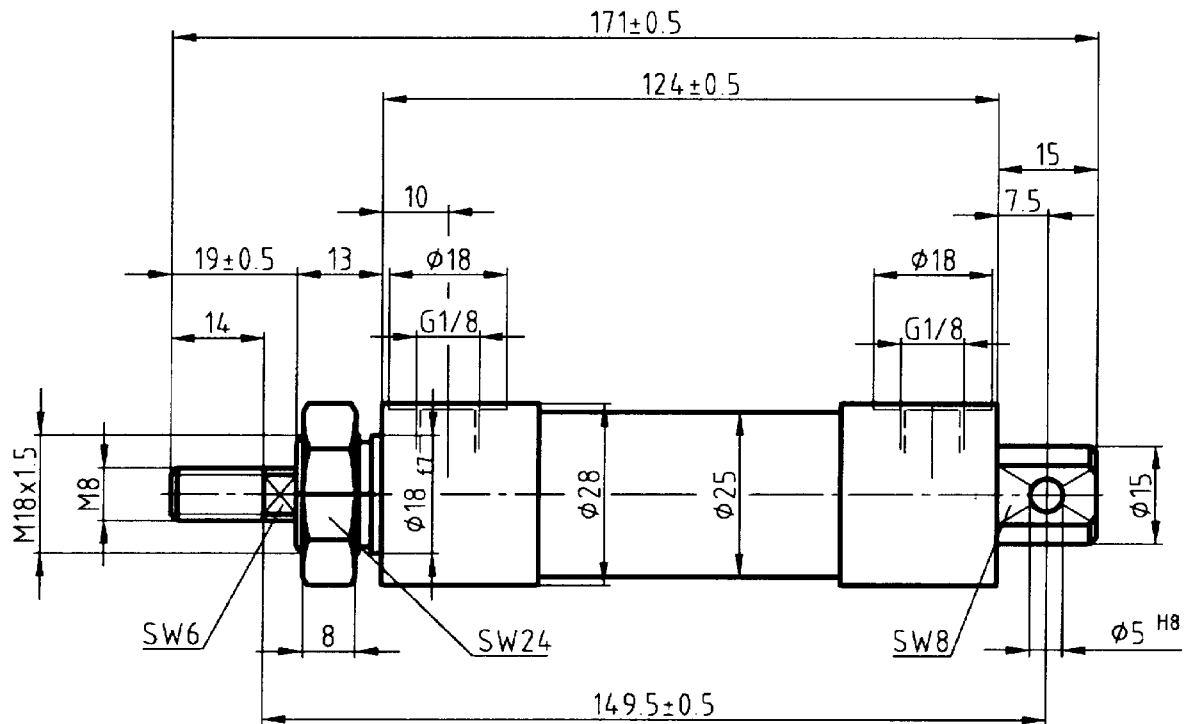


## 1.2 Stainless steel cylinder variants

### 1.2.1 Double-acting pneumatic cylinder $\varnothing 20$ mm

#### Technical description

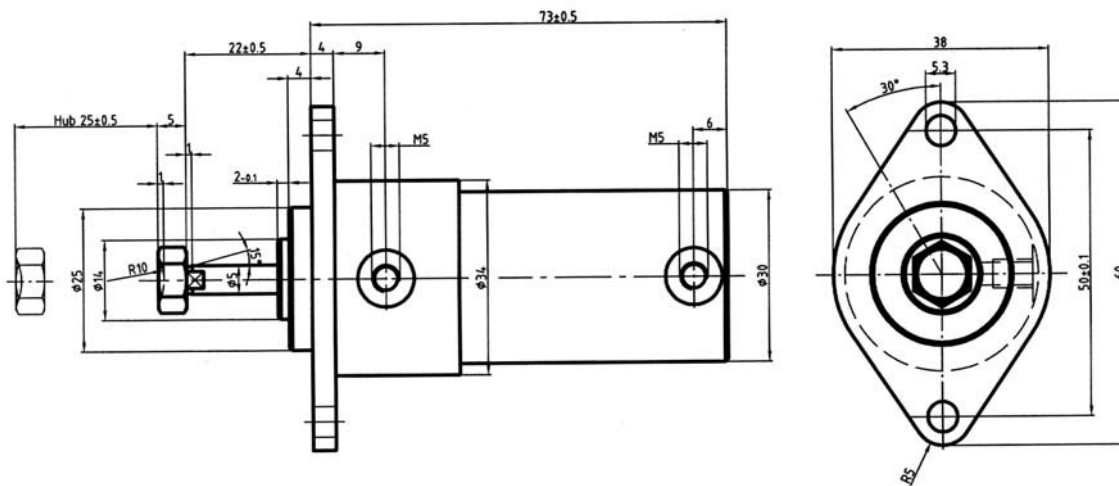
Piston diameter	20 mm
Function	Double-acting
Stroke lengths	50 mm
Medium	Filtered, oil-bearing or filtered oil-free compressed air
Operating pressure	Max. 10 bar
Temperature range	-20°C to +150°C
Material	Stainless steel, 1.4301
Compressive force at 6 bar	165 N
Tensile force at 6 bar	140 N



### 1.2.2 Double-acting pneumatic cylinder $\varnothing$ 25 mm

#### Technical description

Piston diameter	25 mm
Function	Double-acting, damped
Stroke lengths	25 mm
Medium	Filtered, oil-bearing or filtered oil-free compressed air
Operating pressure	Max. 10 bar
Temperature range	-20°C to +80°C
Material	Stainless steel, 1.4305

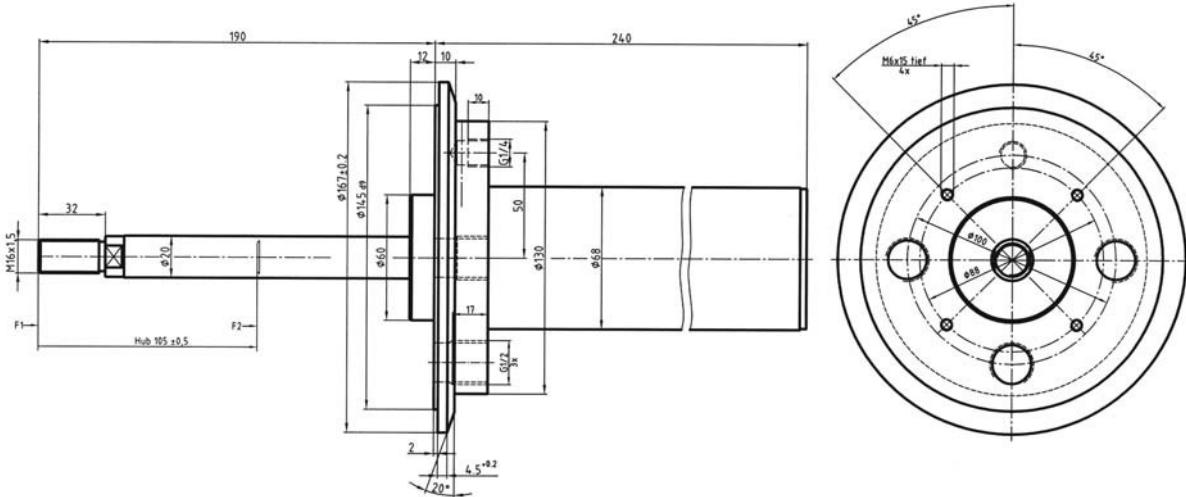




1.2.4 Pneumatic single-acting cylinder  $\varnothing$  63 mm

**Technical description**

Piston diameter	63 mm
Function	Single-acting with spring return, pressureless extension movement, supply air connection for bellows.
Stroke lengths	105 mm
Medium	Filtered, oil-bearing or filtered oil-free compressed air
Operating pressure	Max. 10 bar
Temperature range	-20°C to +80°C
Material	Stainless steel, 1.4404

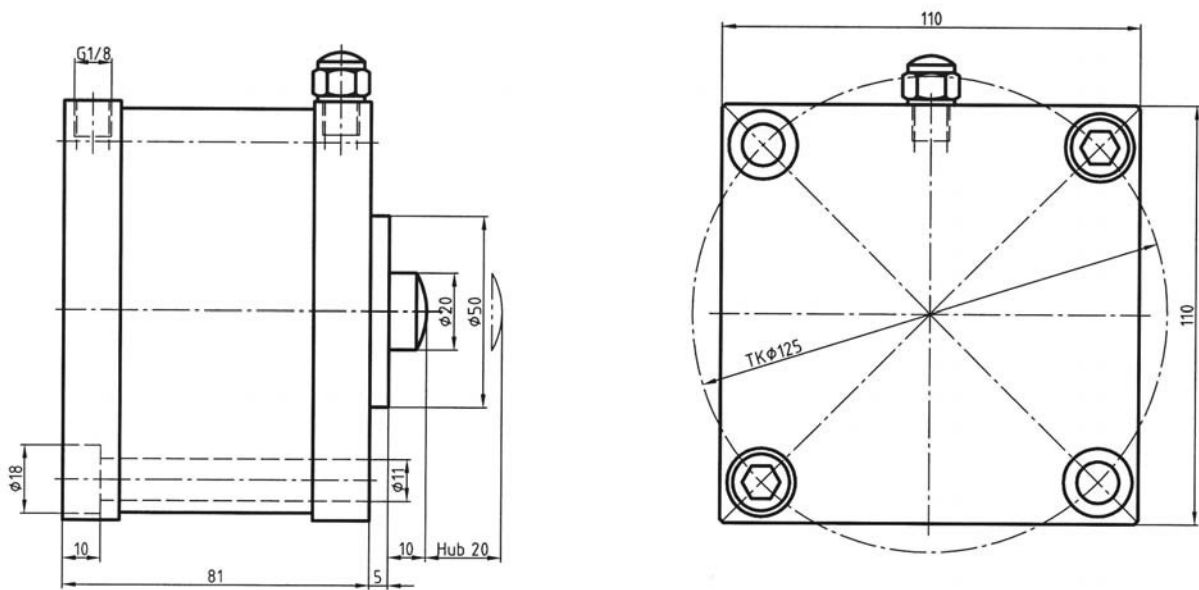




1.2.6 Single-acting pneumatic short-stroke cylinder  $\varnothing$  100 mm

**Technical description**

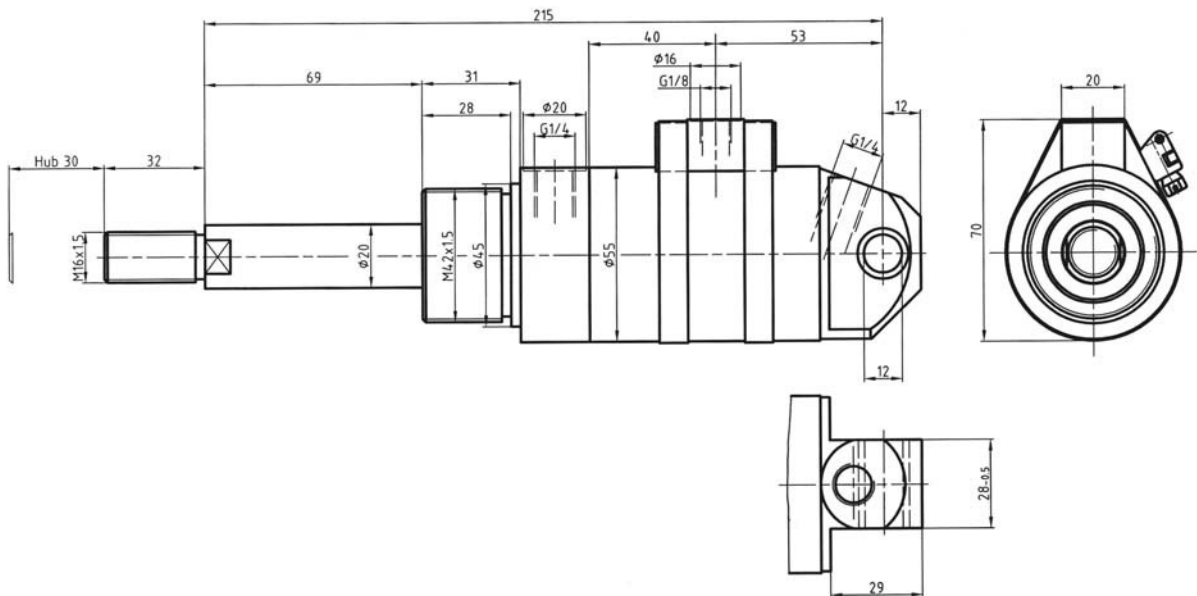
Piston diameter	100 mm
Function	Single-acting without spring return
Stroke lengths	20 mm
Medium	Filtered, oil-bearing or filtered oil-free compressed air
Operating pressure	Max. 10 bar
Temperature range	-20°C to +120°C
Material	Stainless steel, 1.4301



1.2.7 Double-acting pneumatic cylinder  $\varnothing 50$  mm with pneumatic end-position query

**Technical description**

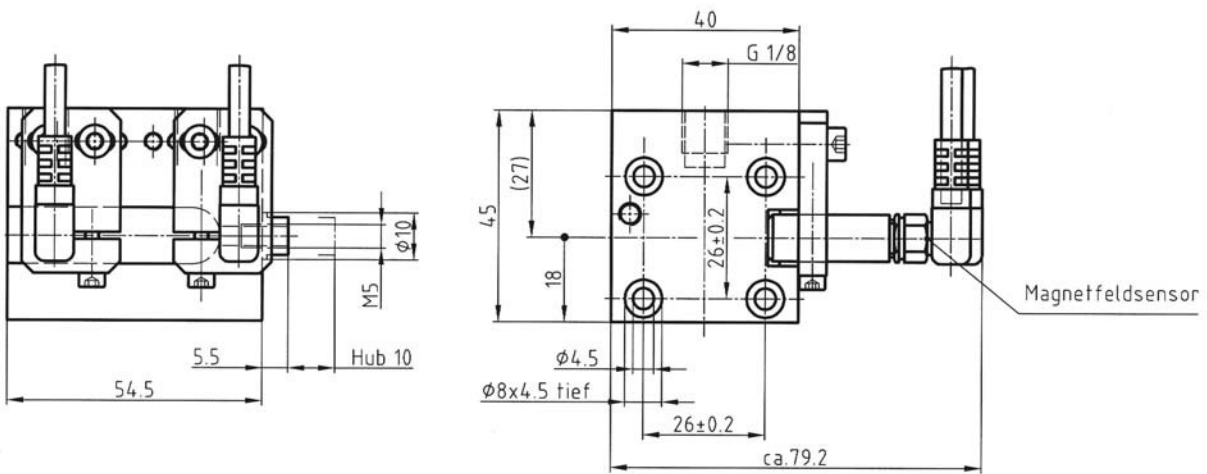
Piston diameter	50 mm
Function	Double-acting, damped, pneumatic end-position query
Stroke lengths	30 mm
Medium	Filtered, oil-bearing or filtered oil-free compressed air
Operating pressure	Max. 10 bar
Temperature range	-20°C to +80°C
Material	Stainless steel, 1.4305



1.2.8 Single-acting pneumatic short-stroke cylinder  $\varnothing$  25 mm with magnetic field sensors

**Technical description**

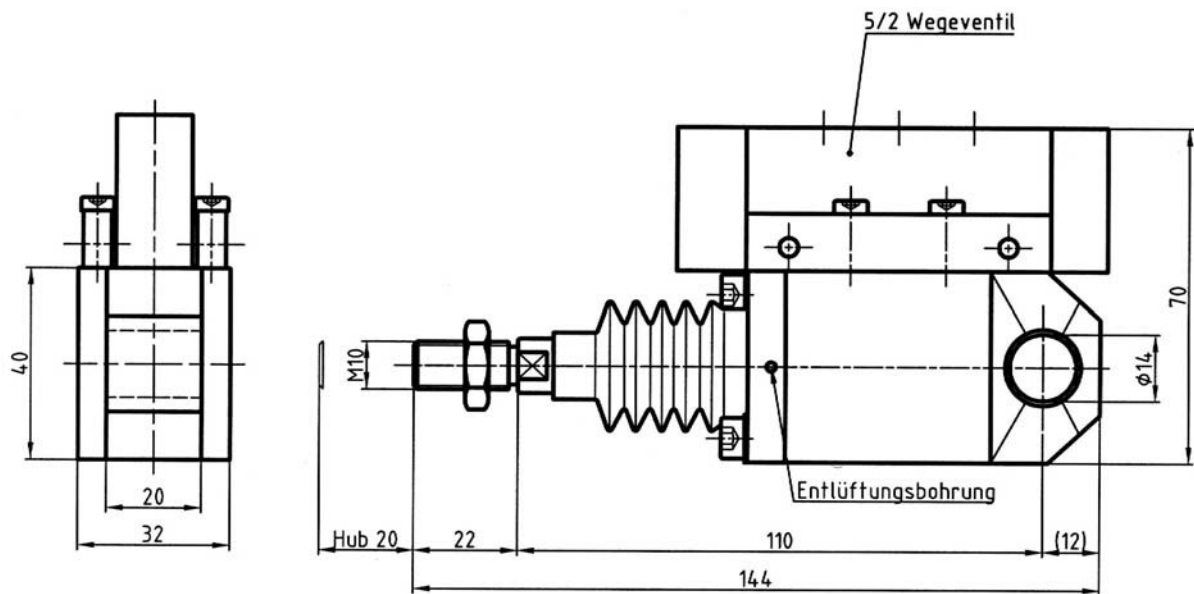
Piston diameter	25 mm
Function	Double-acting, damped, magnetic field sensors for electronic end-position query
Stroke lengths	10 mm
Medium	Filtered, oil-bearing or filtered oil-free compressed air
Operating pressure	Max. 10 bar
Temperature range	-20°C to +80°C
Material	Stainless steel, 1.4301



1.2.9 Double-acting pneumatic short-stroke cylinder  $\varnothing 25$  mm with 5/2-way valve

**Technical description**

Piston diameter	25 mm
Function	Double-acting, damped, 5/2-way valve, bellows
Stroke lengths	20 mm
Medium	Filtered, oil-bearing or filtered oil-free compressed air
Operating pressure	Max. 10 bar
Temperature range	-20°C to +80°C
Material	Stainless steel, 1.4571



1.2.10 Double-acting pneumatic multi-position cylinder  $\varnothing$  100 mm

**Technical description**

Piston diameter	100 mm
Function	Double-acting, fixed end-position damper
Stroke lengths	Stroke 1 = 370 mm, stroke 2 = 115 mm
Medium	Filtered, oil-bearing or filtered oil-free compressed air
Operating pressure	Max. 10 bar
Temperature range	-20°C to +80°C
Material	Stainless steel, 1.4301

