

1 Description of DIN ISO 6432 CETOP RP52-P pneumatic cylinder

- Series 12: pneumatic cylinder, piston diameter 8 to 25 mm, double-acting, Damper rings in end positions
- Series 16: pneumatic cylinder, piston diameter 16 to 25 mm, double-acting, at both ends, adjustable end-position damper
- Series 22: pneumatic cylinder, piston diameter 8 to 25 mm, single-acting with spring return, double-acting, damper rings in end positions, standard strokes 10, 25, 50 mm
- Series 17: pneumatic cylinder with continuous piston rod, piston diameter 8 to 25 mm, double-acting, damper rings in end positions
- Series 18: pneumatic cylinder with continuous piston rod, piston diameter 16 to 25 mm, double-acting, adjustable end-position dampers at both ends
- Series 13: pneumatic multi-position cylinder, piston diameter 8 to 25 mm, double-acting, damper rings in end positions
- Series 11: pneumatic multi-position cylinder, piston diameter 16 to 25 mm, double-acting, adjustable end-position dampers at both ends
- Acting: single-acting, double-acting
- Operating pressure: 1 to 10 bar
- Medium: Filtered compressed air, oil-bearing, or not oil-bearing
- Temperature: -20°C to +80°C
- Strokes: suppliable from 1 to 500 mm (intermediate strokes with no additional charge)
Series 22: standard strokes 10, 25, 50 mm,
- Material: Piston rod: stainless steel; cylinder: aluminium,
front and end pieces and piston: aluminium; seals: polyurethane

2 Pneumatic cylinder to DIN ISO 6432 CETOP RP52-P

2.1 Series 12, 16, 22

pneumatic cylinders to DIN ISO 6432 CETOP RP52-P

Ordering example

Pneumatic cylinder	1	-	40	050	51	0250	-	0
Series								
Piston dia.								
Attachment type								
Stroke in mm								
Special version								

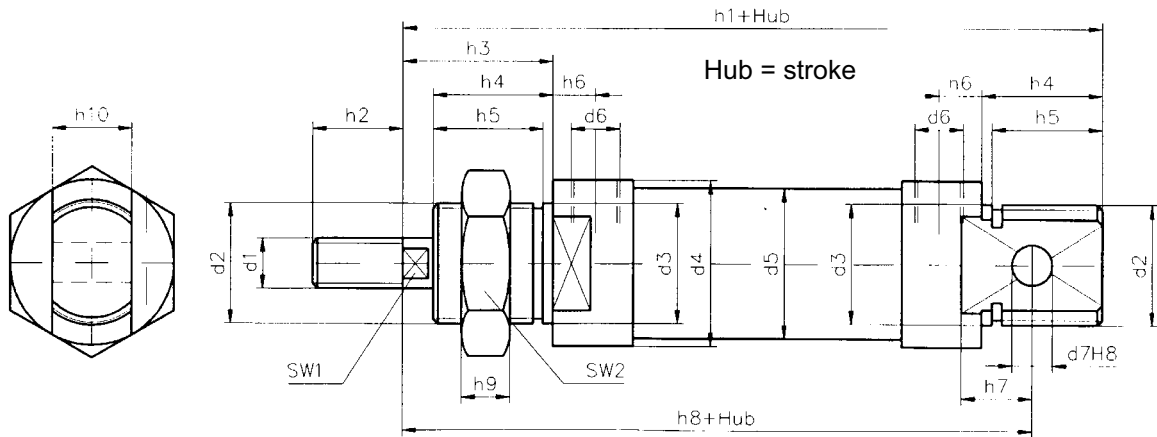
You can choose a **customized solution from any of the rogatti-BEWEGUNGSTECHNIK standard series** for no additional price: longer piston rod, different thread on piston rod, intermediate strokes, offset connections, smaller/larger connection thread.

We can design, construct and manufacture **customized solutions and assemblies** to your specifications. You will find our form for customized solutions at the end of this catalogue. It will help you with your inquiry.

Special versions

- 0 = Without
- 1 = Magnetic piston + one proximity switch mounted
- 2 = Magnetic pistons + two proximity switches mounted
- M = Magnetic piston
- D = Heat-resistant seals up to 180°C
- K = Customized solution

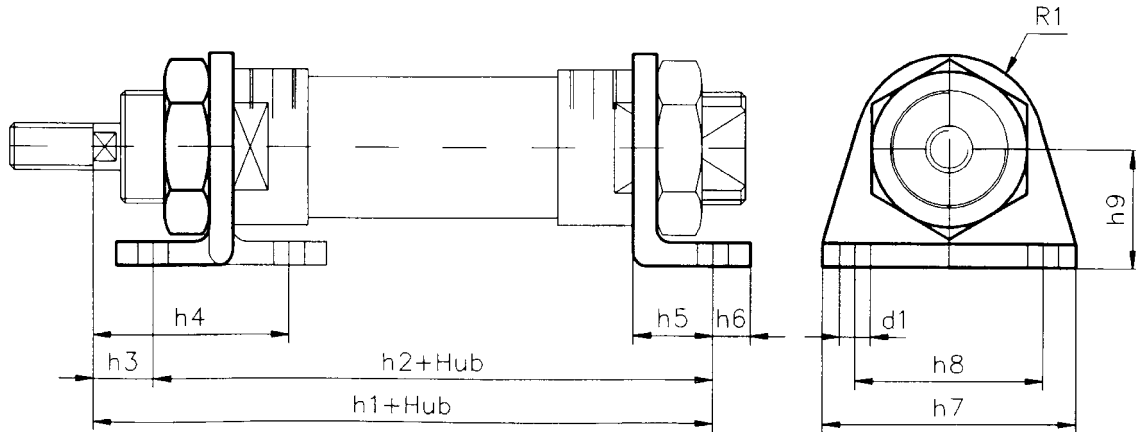
Simply request any other combination.



Series	Piston Ø	d ₁	d ₂	d ₃	d ₄	d ₅	d ₆	d ₇	h ₁	h ₂	h ₃	h ₄	h ₅	h ₆	h ₇	h ₈	h ₉	h ₁	sw ₁	sw ₂
12/22	8	M4	M12 x 1.25	12	15	12	M5	4	74	12	16	12	10	6	6	64	4	8	-	17
12/22	10	M4	M12 x 1.25	12	16	14	M5	4	74	12	16	12	10	6	6	64	4	8	-	17
12/22	12	M6	M16x1.50	16	20	16	M5	6	89	16	22	17	15	6	9	75	5	12	5	22
12/16/22	16	M6	M16x1.50	16	22	20	M5	6	95	16	22	17	15	6	9	82	5	12	5	22
12/16/22	20	M8	M22x1.50	22	27	25	G1/8	8	112	20	24	20	18	10	12	95	6	16	7	27
12/16/22	25	M10 x 1.25	M22x1.50	22	33	30	G1/8	8	119.5	22	28	22	20	10	12	104	6	16	9	27

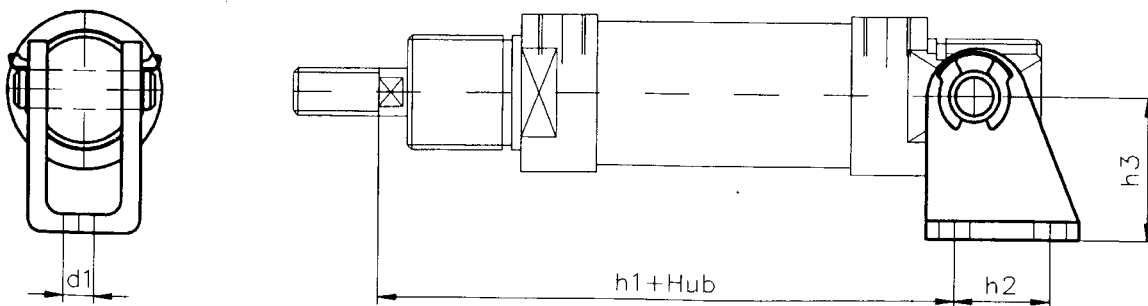
2.2 Attachment types for Series 12,16,22

2.2.1 Attachment 54 Foot attachment



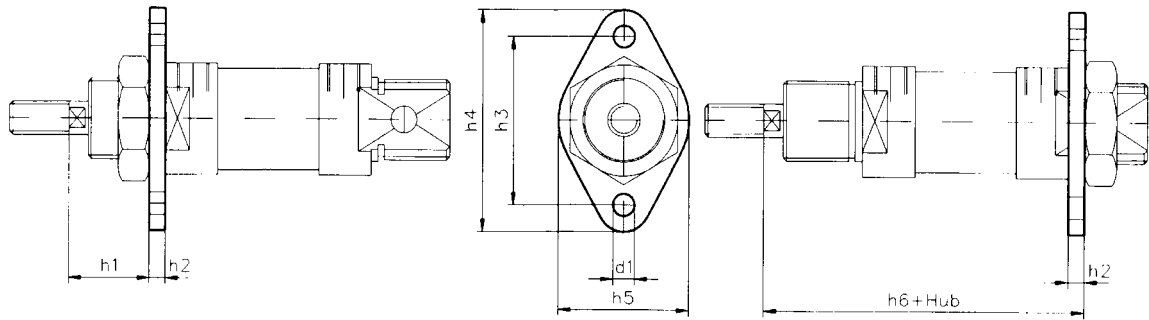
Part No. 1 foot	Part No. 2 feet	Piston Ø	d ₁	h ₁	h ₂	h ₃	h ₄	h ₅	h ₆	h ₇	h ₈	h ₉	h ₁₀	SW ₁	SW ₂
00029-34	00029-37	8	4.5	73	68	5	24	11	5	35	25	4	8	-	17
00029-34	00029-37	10	4.5	73	68	5	24	11	5	35	25	4	8	-	17
00029-35	00029-38	12	5.5	86	78	8	32	14	6	42	32	5	12	5	22
00039-35	00029-38	16	5.5	92	84	8	32	14	6	42	32	5	12	5	22
00029-36	00029-39	20	6.5	109	102	7	36	17	8	54	40	6	16	7	27
00029-36	00029-39	25	6.5	114.5	103.5	11	40	17	8	54	40	6	16	9	27

2.2.2 Attachment 55 Swivel attachment



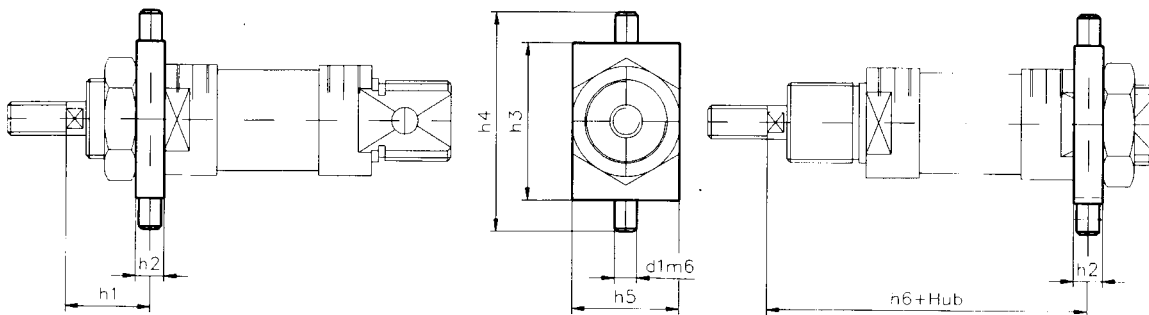
Part No.	Piston Ø	d ₁	h ₁	h ₂	h ₃
00023-85	8	4.5	62.5	12.5	24
00023-85	10	4.5	62.5	12.5	24
00023-86	12	5.5	73	15	27
00023-86	16	5.5	80	15	27
00023-87	20	6.5	91	20	30
00023-87	25	6.5	100	20	30

2.2.3 Attachment 57 or 56 Flange attachment, front (57) or rear (56)



Part No.	Piston \varnothing	d_1	h_1	h_2	h_3	h_4	h_5	h_6
00029-40	8	4.5	13	3	30	40	25	65
00029-40	10	4.5	13	3	30	40	25	65
00029-41	12	5.5	18	4	40	53	30	76
00029-41	16	5.5	18	4	40	53	30	82
00029-42	20	6.5	19	5	50	66	40	97
00029-42	25	6.5	23	5	50	66	40	102.5

2.2.4 Attachment 69 or 70 Pivot attachment, front (69) or rear (70)



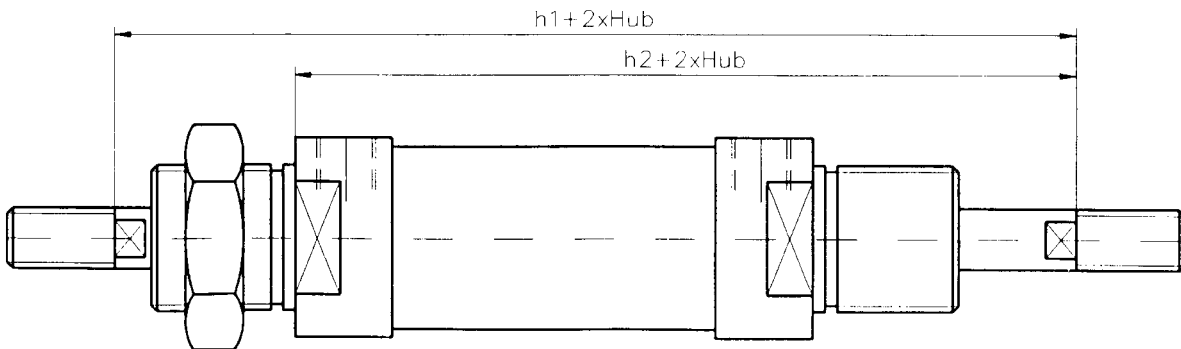
Part No.	Piston \varnothing	d_{1m6}	h_1	h_2	h_3	h_4	h_5	h_6
00029-43	8	4	13	6	26	38	20	65
00029-43	10	4	13	6	26	38	20	65
00029-44	12	6	18	8	38	58	25	76
00029-44	16	6	18	8	38	58	25	82
00029-45	20	6	20	8	46	66	30	96
00029-45	25	6	24	8	46	66	30	101.5

2.3 Series 17,18 *pneumatic cylinders with continuous piston rod*

Ordering example		<p>You can choose a customized solution from any of the rogatti-BEWEGUNGSTECHNIK standard series for no additional price: longer piston rod, different thread on piston rod, intermediate strokes, offset connections, smaller/larger connection thread.</p> <p>We can design, construct and manufacture customized solutions and assemblies to your specifications. You will find our form for customized solutions at the end of this catalogue. It will help you with your inquiry.</p>
Pneumatic cylinder	1 - 40 050 51 0250 - 0	
Series		
Piston dia.		
Attachment type		
Stroke in mm		
Special version		

Special versions

- 0 = Without
 - 1 = Magnetic piston + one proximity switch mounted
 - 2 = Magnetic pistons + two proximity switches mounted
 - M = Magnetic piston
 - D = Heat-resistant seals up to 180°C
 - K = Customized solution
- Simply request any other combination.



Series	Piston ∅	h ₁	h ₂
17	8	78	62
17	10	78	62
17	12	94	72
17/18	16	100	78
17/18	20	116	92
17/18	25	125.5	97.5

2.4 Series 11, 13 pneumatic multi-position cylinders

Ordering example

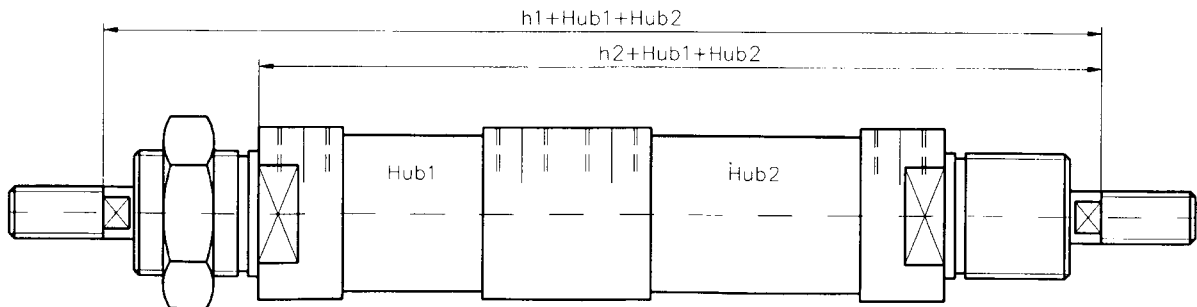
Pneumatic cylinder	1	-	40	050	51	0250	-	0
Series	_____							
Piston dia.	_____							
Attachment type	_____							
Stroke in mm	_____							
Special version	_____							

You can choose a **customized solution from any of the rogatti-BEWEGUNGSTECHNIK standard series** for no additional price: longer piston rod, different thread on piston rod, intermediate strokes, offset connections, smaller/larger connection thread.

We can design, construct and manufacture **customized solutions and assemblies** to your specifications. You will find our form for customized solutions at the end of this catalogue. It will help you with your inquiry.

Special versions

- 0 = Without
 - 1 = Magnetic piston + one proximity switch mounted
 - 2 = Magnetic pistons + two proximity switches mounted
 - M = Magnetic piston
 - D = Heat-resistant seals up to 180°C
 - K = Customized solution
- Simply request any other combination.



Series	Piston Ø	h_1	h_2
13	8	124	108
13	10	124	108
13	12	144	122
11/13	16	156	134
11/13	20	184	160
11/13	25	195	167