

3 Description of DIN ISO 6431 VDMA 24562 pneumatic cylinders

- Series 40: pneumatic cylinder with piston rod at one end to DIN 150 6431
- Series 47: pneumatic cylinder with continuous piston rod to DIN 150 6431
- Series 42: pneumatic cylinder with piston rod locked to prevent rotating to DIN 6431
- Series 43: pneumatic multi-position cylinder with components from the Series 40

The Series 40 was designed to ISO Standard 6431 so that the component parts can also be used for the 42/43/47 variant. Standard version in this series is the magnetic version with a permanent magnet integrated in the piston for contactless detection, suitable for sensors and Reed switches from well-known manufacturers. A section tube is used for the cylinder. This achieves an optimal construction of the pneumatic cylinder with regard to contamination and design. The pneumatic cylinder end positions are fitted with adjustable end-position dampers. The adjustment bolts are located on the connection side and are adjustable by means of Allen keys. The adjustment bolts are locked against unscrewing.

Acting: double-acting, adjustable end-position dampers

Operating pressure: 1 to 16 bar

Medium: Filtered compressed air, oil-bearing, or not oil-bearing

Temperature: -20°C to +80°C

Strokes: suppliable from 1 to 2000 mm (intermediate strokes with no additional charge)

Material: piston rod: stainless steel; cylinder: aluminium section anodized, front and end pieces and piston: aluminium; seals: polyurethane

4 Cylinders to DIN ISO 6431 VDMA 24562

4.1 Series 40 Ø32-100 mm piston rod at one end

Ordering example

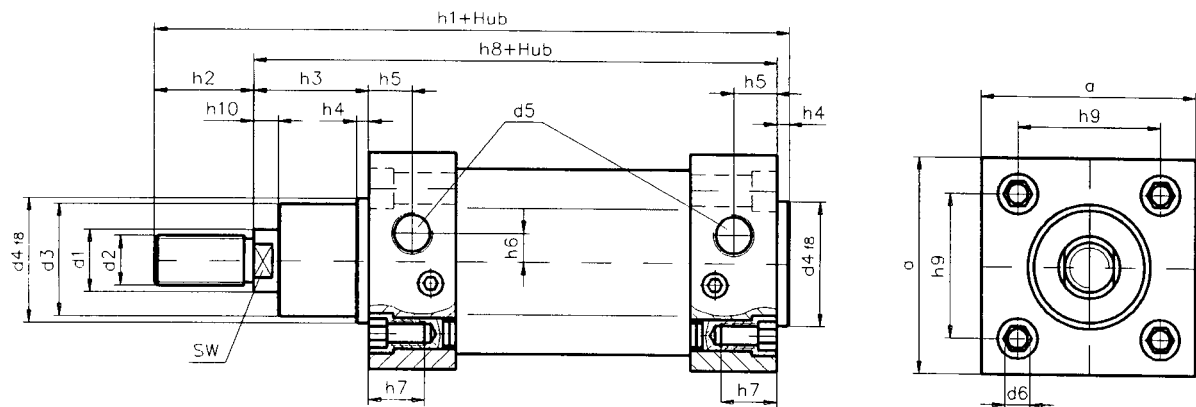
Pneumatic cylinder	1	-	40	050	51	0250	-	0
Series								
Piston dia.								
Attachment type								
Stroke in mm								
Special version								

You can choose a **customized solution from any of the rogatti-BEWEGUNGSTECHNIK standard series** for no additional price: longer piston rod, different thread on piston rod, intermediate strokes, offset connections, smaller/larger connection thread.

We can design, construct and manufacture **customized solutions and assemblies** to your specifications. You will find our form for customized solutions at the end of this catalogue. It will help you with your inquiry.

Special versions

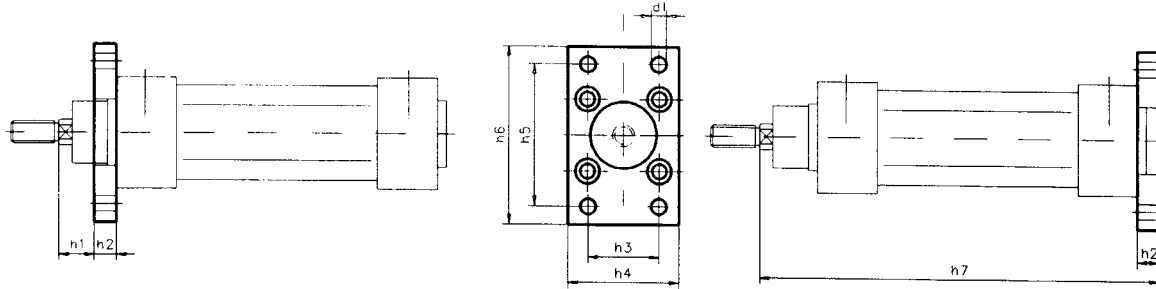
- 0 = Without
 - 1 = Magnetic piston + one proximity switch mounted
 - 2 = Magnetic pistons + two proximity switches mounted
 - M = Magnetic piston
 - D = Heat-resistant seals up to 180°C
 - K = Customized solution
- Simply request any other combination.



Piston Ø	d ₁	d ₂	d ₃	d ₄ f ₈	d ₅	d ₆	h ₁	h ₂	h ₃	h ₄	h ₅	h ₆	h ₇	h ₈	h ₉	h ₁₀	a	sw
32	12	M10 x 1.25	28	30	G1/8	M6	146	22	26	4	13	6.5	20	120	32.5	6	50	10
40	16	M12 x 1.25	34	35	G1/4	M6	163	24	30	4	14	7	20	135	38	8	55	13
50	20	M16x1.50	38	40	G1/4	M8	179	32	37	4	14	9	20	143	46.5	8	65	17
63	20	M16x1.50	40	45	G3/8	M8	194	32	37	4	16	11.5	20	158	56.5	8	75	17
80	25	M20x1.50	42	45	G3/8	M10	218	40	46	4	16	12.5	23	174	72	11	95	21
100	25	M20x1.50	50	55	G1/2	M10	233	40	51	4	18	15	23	189	89	13	110	21

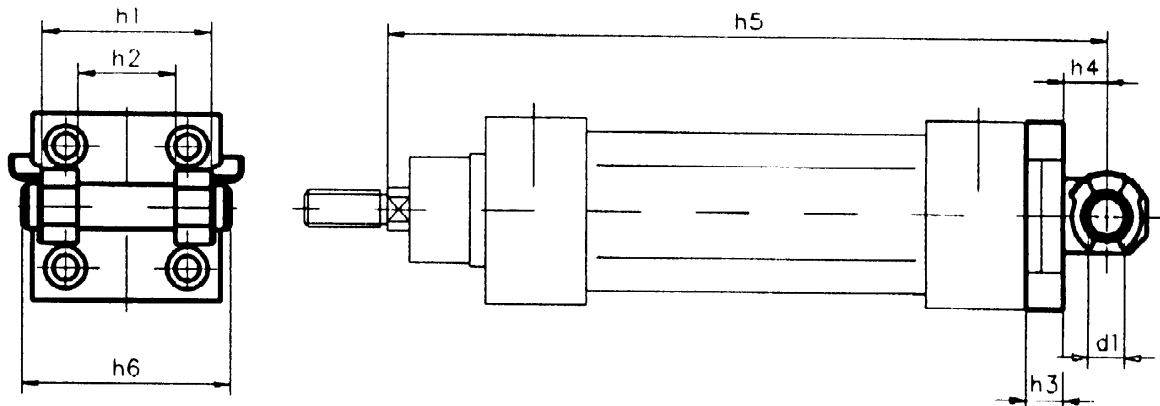
4.2 Attachment types for Series 40

4.2.1 Attachment 57 or 56 Flange attachment, front (57) or rear (56)



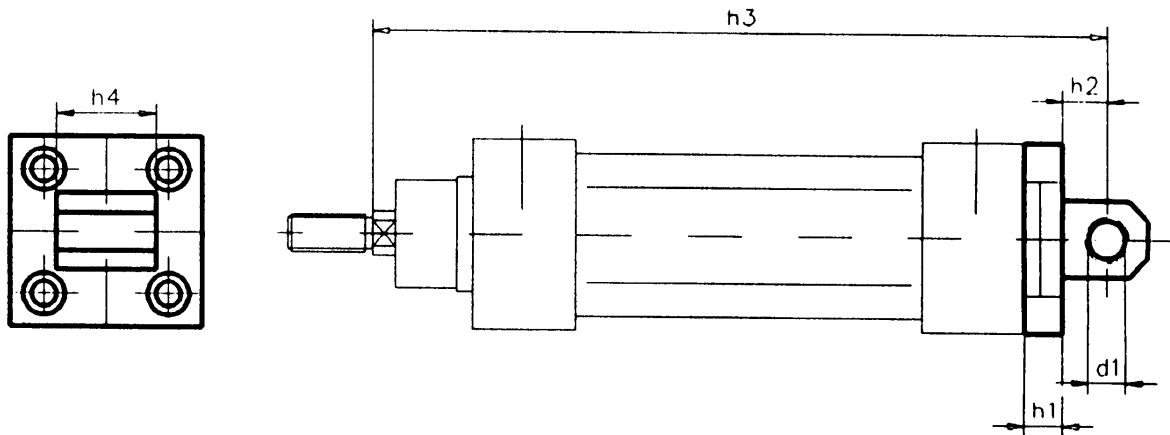
Part No.	Piston Ø	d ₁	h ₁	h ₂	h ₃	h ₄	h ₅	h ₆	h ₇
00022-30	32	7	16	10	32	50	64	80	130
00022-31	40	9	20	10	36	55	72	90	145
00022-32	50	9	25	12	45	65	90	110	155
00022-33	63	9	25	12	50	75	100	120	170
00022-34	80	12	30	16	63	95	126	150	190
00022-35	100	14	35	16	75	110	150	180	205

4.2.2 Attachment 55 Swivel attachment (a swivel flange with pin bolts and securing bolt)



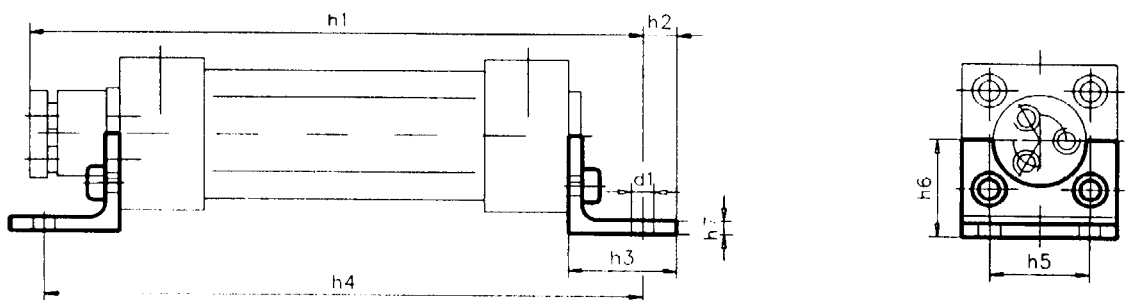
Part No.	Piston Ø	d ₁	h ₁	h ₂	h ₃	h ₄	h ₅	h ₆
00022-36	32	10	45	26	8	14	142	53.5
00022-37	40	12	52	28	8	17	160	60.5
00022-38	50	12	60	32	12	15	170	68.5
00022-39	63	16	70	40	12	20	190	78.5
00022-40	80	16	90	50	16	20	210	100.5
00022-41	100	20	110	60	16	25	230	120.5

4.2.3 Attachment 90 Swivel attachment
(one swivel flange with securing bolts)



Part No.	Piston Ø	d ₁	h ₁	h ₂	h ₃	h ₄
00022-42	32	10	8	14	142	26
00022-43	40	12	8	17	160	28
00022-44	50	12	12	15	170	32
00022-45	63	16	12	20	190	40
00022-46	80	16	16	20	210	50
00022-47	100	20	16	25	230	60

4.2.4 Attachment 54 Foot attachment



Part No.	Piston Ø	d ₁	h ₁	h ₂	h ₃	h ₄	h ₅	h ₆	h ₇
00022-48	32	7	144	11	35	142	32	32	4.5
00022-49	40	9	163	15	43	161	36	36	4.5
00022-50	50	9	175	15	47	170	45	45	5.5
00022-51	63	9	190	15	47	185	50	50	5.5
00022-52	80	12	215	20	61	210	63	63	6.5
00022-53	100	14	230	25	66	220	75	71	6.5

4.3 Series 47 Ø32-100 mm continuous piston rod

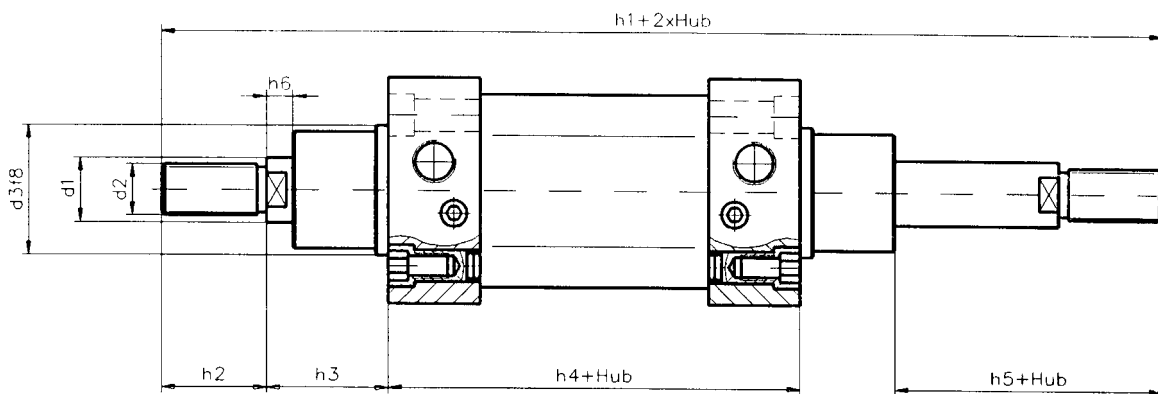
Ordering example	
Pneumatic cylinder	1 - 40 050 51 0250 - 0
Series	
Piston dia.	
Attachment type	
Stroke in mm	
Special version	

You can choose a **customized solution from any of the rogatti-BEWEGUNGSTECHNIK standard series** for no additional price: longer piston rod, different thread on piston rod, intermediate strokes, offset connections, smaller/larger connection thread.

We can design, construct and manufacture **customized solutions and assemblies** to your specifications. You will find our form for customized solutions at the end of this catalogue. It will help you with your inquiry.

Special versions

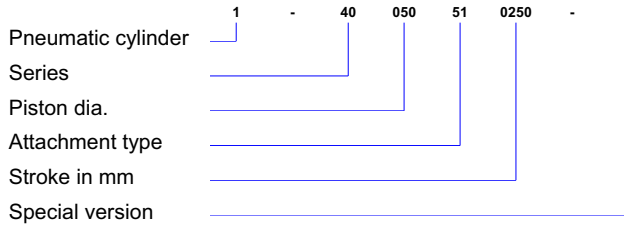
- 0 = Without
 - 1 = Magnetic piston + one proximity switch mounted
 - 2 = Magnetic pistons + two proximity switches mounted
 - M = Magnetic piston
 - D = Heat-resistant seals up to 180°C
 - K = Customized solution
- Simply request any other combination.



Piston Ø	d ₁	d ₂	d ₃ f ₈	d ₅	d ₆	h ₁	h ₂	h ₃	h ₄	h ₅	h ₆
32	12	M10 x 1.25	30	G1/8	M6	190	22	26	94	28	6
40	16	M12 x 1.25	35	G1/4	M6	213	24	30	105	32	8
50	20	M16x1.50	40	G1/4	M8	244	32	37	106	40	8
63	20	M16x1.50	45	G3/8	M8	259	32	37	121	40	8
80	25	M20x1.50	45	G3/8	M10	300	40	46	128	51	11
100	25	M20x1.50	55	G1/2	M10	320	40	51	138	53	13

4.4 Series 43 $\varnothing 32-100$ mm pneumatic multi-position cylinder

Ordering example

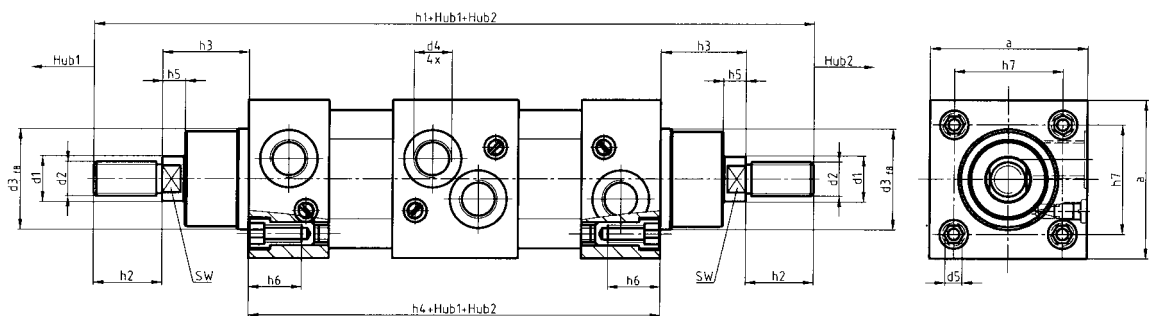


You can choose a **customized solution from any of the rogatti-BEWEGUNGSTECHNIK standard series** for no additional price: longer piston rod, different thread on piston rod, intermediate strokes, offset connections, smaller/larger connection thread.

We can design, construct and manufacture **customized solutions and assemblies** to your specifications. You will find our form for customized solutions at the end of this catalogue. It will help you with your inquiry.

Special versions

- 0 = Without
 - 1 = Magnetic piston + one proximity switch mounted
 - 2 = Magnetic pistons + two proximity switches mounted
 - M = Magnetic piston
 - D = Heat-resistant seals up to 180°C
 - K = Customized solution
- Simply request any other combination.



Piston \varnothing	d ₁	d ₂	d ₃ f ₈	d ₄	d ₅	h ₁	h ₂	h ₃	h ₄	h ₅	h ₆	h ₇	a	sw
32	12	M10 x 1.25	28	G1/8	M6	267	22	26	171	6	18	32.5	50	10
40	16	M12 x 1.25	34	G1/4	M6	306	24	30	198	8	18	38	55	13
50	20	M16x1.50	38	G1/4	M8	338	32	37	200	8	20	46.5	65	17
63	20	M16x1.50	40	G3/8	M8	368	32	37	230	8	20	56.5	75	17
80	25	M20x1.50	42	G3/8	M10	420	40	46	248	11	23	72	95	21
100	25	M20x1.50	50	G1/2	M10	446	40	51	264	13	23	89	110	21

4.5 Series 42 $\varnothing 32-100$ mm pneumatic cylinder locked to prevent rotating

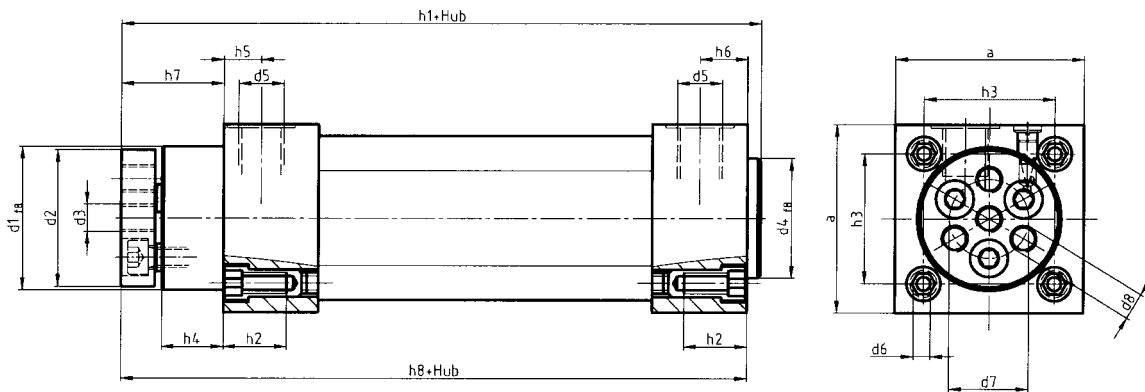
Ordering example	
Pneumatic cylinder	1 - 40 050 51 0250 - 0
Series	40
Piston dia.	050
Attachment type	51
Stroke in mm	0250
Special version	0

You can choose a **customized solution from any of the rogatti-BEWEGUNGSTECHNIK standard series** for no additional price: longer piston rod, different thread on piston rod, intermediate strokes, offset connections, smaller/larger connection thread.

We can design, construct and manufacture **customized solutions and assemblies** to your specifications. You will find our form for customized solutions at the end of this catalogue. It will help you with your inquiry.

Special versions

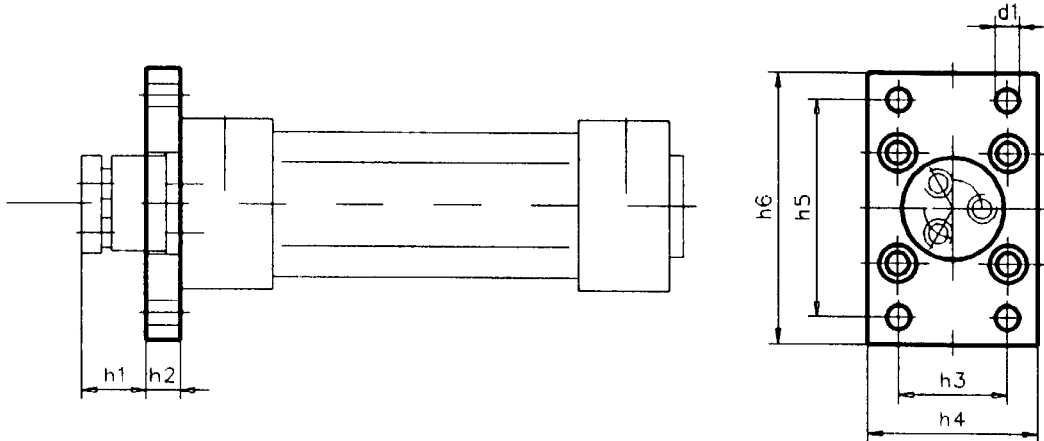
- 0 = Without
 - 1 = Magnetic piston + one proximity switch mounted
 - 2 = Magnetic pistons + two proximity switches mounted
 - M = Magnetic piston
 - D = Heat-resistant seals up to 180°C
 - K = Customized solution
- Simply request any other combination.



Piston \varnothing	$d_1 f_8$	d_2	d_3	$d_4 f_8$	d_5	d_6	d_7	d_8	h_1	h_2	h_3	h_4	h_5	h_6	h_7	h_8	a
32	34	32	M8	30	G1/8	M6	17.5	M8	124	18	32.5	16	9.5	13	26	120	50
40	42	40	M8	35	G1/4	M6	23	M8	139	18	38	18	11	14	30	135	55
50	50	48	M16x1.5	40	G1/4	M8	31	M8	147	20	46.5	23	14	14	37	143	65
63	65	63	M16x1.5	45	G3/8	M8	40	M8	162	20	56.5	23	16	16	37	158	75
80	82	80	M20x1.5	45	G3/8	M10	52	M8	178	23	72	28	16	16	46	174	95
100	95	101	M20x1.5	55	G1/2	M10	70	M8	193	23	89	32	18	18	51	189	110

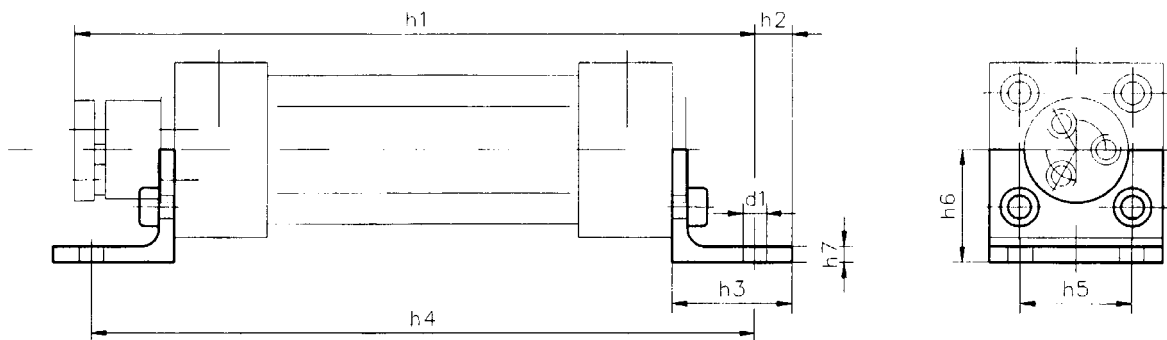
4.6 Attachment types for Series 42

4.6.1 Attachment 57 Flange attachment, front



Part No.	Piston Ø	d ₁	h ₁	h ₂	h ₃	h ₄	h ₅	h ₆
00023-09	32	7	16	10	32	50	64	80
00023-10	40	9	20	10	36	55	72	90
00023-11	50	9	25	12	45	65	90	110
00023-12	63	9	25	12	50	75	100	120
00023-13	80	12	30	16	63	95	126	150
00023-14	100	14	35	16	75	110	150	180

4.6.2 Attachment 54 Foot attachment



Part No.	Piston Ø	d ₁	h ₁	h ₂	h ₃	h ₄	h ₅	h ₆	h ₇
00023-15	32	7	144	11	35	142	32	32	4.5
00023-16	40	9	163	15	43	161	36	36	4.5
00023-17	50	9	175	15	47	170	45	45	5.5
00023-18	63	9	190	15	47	185	50	50	5.5
00023-19	80	12	215	20	61	210	63	63	6.5
00023-20	100	14	230	25	66	220	75	71	6.5