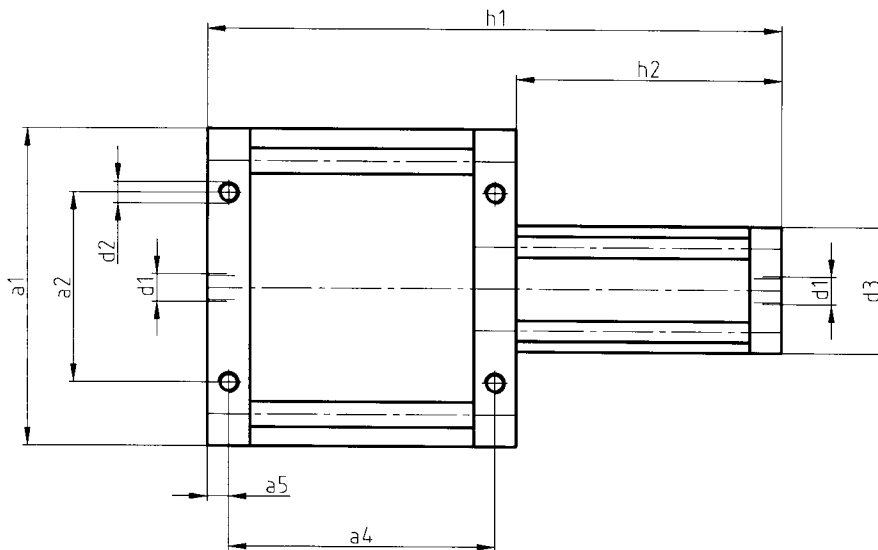


7 Boosters
7.1 Series 90

Technical features

Function Pneumatic-hydraulic
 Model
 We keep sets of seals for you in stock.
 Seals
 Materials Cylinder: steel;
 front, intermediate and end
 pieces: aluminium

Any fitting position
 Temperature -20°C to +80°C
 Medium Filtered, oil-bearing or oil-free
 compressed air
 Operating pressure 1 to 10 bar
Customized solutions on request



Part No.	Transfer ratio	Volume V in dm3	Piston∅	d ₁	d ₂	h ₁	h ₂	a ₁	a ₂	a ₃	a ₄	a ₅
00012-50	1:5	0.1	100/45	G1/4	M10	270	125	110	50	60	120	12.5
00012-51	1:10		140/45	G1/4	M10	270	125	150	80	60	120	12.5
00017-22	1:10	0.2	140/45	G1/4	M10	396	188	150	80	60	183	12.5
00012-62	1:15	0.04	125/32	G1/4	M8	160	65	135	60	50	70	12.5
00012-52	1:16	0.1	180/45	G1/4	M10	270	125	190	100	60	120	12.5
00014-65	1:20	0.02	110/25	G1/8	M8	176	76	120	60	40	84	8
00012-53	1:20	0.1	200/45	G1/4	M10	270	125	210	120	60	120	12.5
00019-92	1:25	0.05	160/32	G1/4	M10	285	133	170	100	50	127	12.5
00020-90	1:30	0.02	140/25	G1/8	M8	178	77	150	60	40	84	8