

2.2 Series 51 Ø32-63 mm double-acting

Technical features

Function	Double-acting	Stroke length	Freely selectable stroke lengths, max. 1000 mm
Design	Compact round cylinder, front and end pieces bolted to cylinder, therefore these cylinders are repairable.	PistonsØ	32, 40, 50, 63 mm
We keep sets of seals for you in stock.		Connections	32= G1/8", 40 / 50= G1/4", 63= G1/4",
Seals	Perbunan; Viton: additional price	Any fitting position	
Materials	Piston rod: stainless steel; cylinder: aluminium, hard anodized; front and end pieces: aluminium	Temperature	-20°C to +80°C
Damper	Vulkollan rings in end positions	Medium	Filtered, oil-bearing or oil-free compressed air
		Operating pressure	1 to 10 bar

Customized solutions on request

Ordering example

Pneumatic cylinder	1	-	40	050	51	0250	-	0
Series	_____							
Piston dia.	_____							
Attachment type	_____							
Stroke in mm	_____							
Special version	_____							

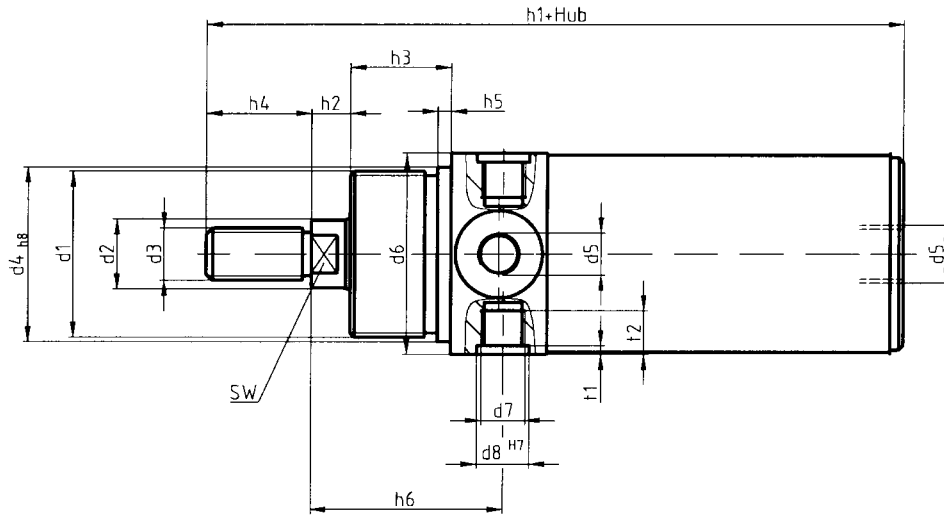
You can choose a **customized solution from any of the rogatti-BEWEGUNGSTECHNIK standard series** for no additional price: longer piston rod, different thread on piston rod, intermediate strokes, offset connections, smaller/larger connection thread.

We can design, construct and manufacture **customized solutions and assemblies** to your specifications. You will find our form for customized solutions at the end of this catalogue. It will help you with your inquiry.

Special versions

- 0 = Without
 - 1 = Magnetic piston + one proximity switch mounted
 - 2 = Magnetic pistons + two proximity switches mounted
 - M = Magnetic piston
 - D = Heat-resistant seals up to 180°C
 - K = Customized solution
- Simply request any other combination.

2.2.1 Attachment 69



Piston ∅	d ₁	d ₂ ∅	d ₃	d ₄ h8 ∅	d ₅	d ₆ ∅	d ₇	d ₈ ∅ H7	h ₁	h ₂	h ₃	h ₄	h ₅	h ₆	t ₁	t ₂	sw
32	M30x1.5	12	M10	30	G1/8	38	M8x1	10	119	17	20	20	3	47	1.5	9	10
40	M38x1.5	16	M12	38	G1/4	46	M10x1	12	134	23	23	24	3	57	2	10	13
50	M45x1.5	20	M16x1.5	45	G1/4	57	M12x1.5	14	152	12	38	32	3	62	2	13	17
63	M45x1.5	20	M16x1.5	45	G1/4	69.5	M14x1.5	16	162	13	38	32	3	64	3	20	17