

1.1.3 Telescoping cylinder Series 86 3-stage

Technical features

Function	Double-acting
Design	3-stage
We keep sets of seals for you in store.	
Seals	Perbunan
Materials	Piston rod: stainless steel; telescoping tube: aluminium, hard anodized; cylinder: aluminium, hard anodized front and end pieces: aluminium, anodized
Damper	Elastomer
Stroke length	Freely selectable stroke lengths, max. 1000 mm

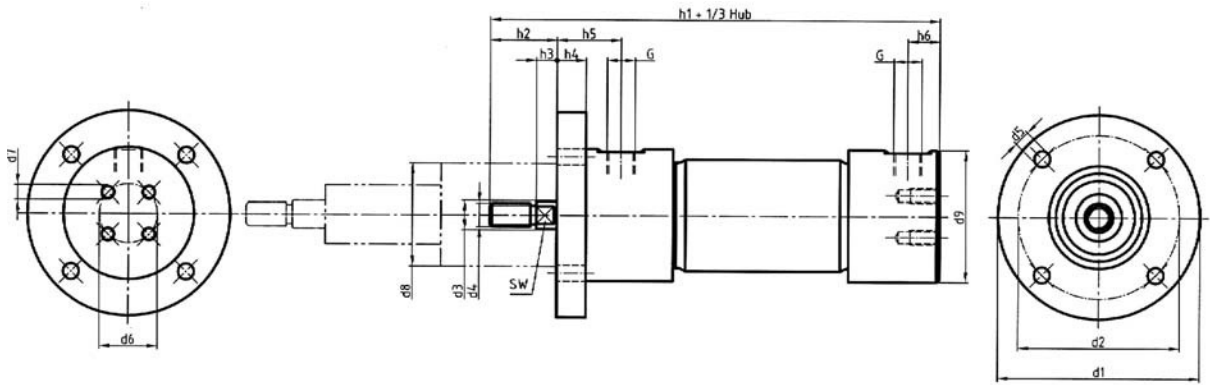
Pistons Ø	12/25/40, 16/30/50, 25/40/63, 30/50/80, 40/63/100 mm
Connections	12/25/40= G1/8", 16/30/50= G1/4", 25/40/63= G1/4", 30/50/80= G1/4", 40/63/100 = G1/4"
Any fitting position	
Temperature	-20°C to +80°C
Medium	Filtered, oil-bearing or oil-free compressed air
Operating pressure	1 to 10 bar
Customized solutions on request	

Ordering example		<p>You can choose a customized solution from any of the rogatti-BEWEGUNGSTECHNIK standard series for no additional price: longer piston rod, different thread on piston rod, intermediate strokes, offset connections, smaller/larger connection thread.</p> <p>We can design, construct and manufacture customized solutions and assemblies to your specifications. You will find our form for customized solutions at the end of this catalogue. It will help you with your inquiry.</p>
Pneumatic cylinder Baureihe Series Kolbendurchm Piston dia. Attachment type Hub in mm Stroke in mm		

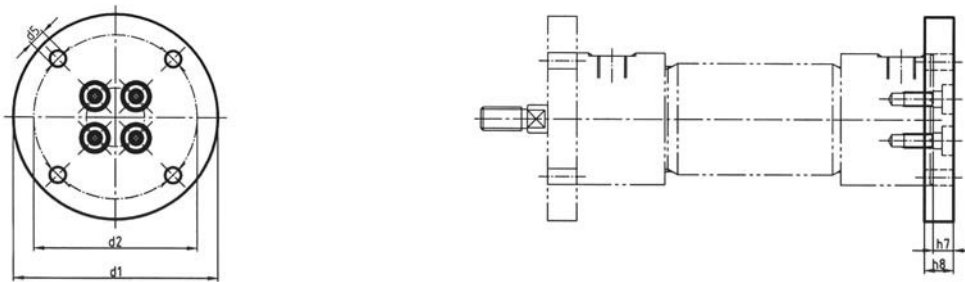
Ordering example:

For a piston diameter of 12/25/40 mm and a stroke of 250 mm the Order No. is 1 - 86 012 57 0250 - 0

1.1.3.1 Attachment 57 Front flange



1.1.3.2 Attachment 56 Rear flange



Piston∅	Compressive force at 6 bar in N	Tensile force at 6 bar in N	d ₁ ∅	d ₂ ∅	d ₃ ∅	d ₄	d ₅ ∅	d ₆ ∅	d ₇ ∅	d ₈	d ₉	WF	G	h ₁	h ₂	h ₃	h ₄	h ₅	h ₆	h ₇	h ₈
12/25/40	58	43	75	63	65	M6	6.6	20	M6	30	50	5	G1/8	92	15.5	3.5	12	34	11	9	12
16/30/50	102	62	85	73	10	M8	6.6	25	M6	35	60	8	G1/4	131	28	8	12	36	14	8	12
25/40/63	260	193	110	87	12	M10	6.6	25	M6	45	74	10	G1/4	140	27	7	12	46	14	8	12
30/50/80	370	200	130	107	20	M16x1.5	9	35	M8	55	91	17	G1/4	167.5	41	9	12	51	15	10	14
40/63/100	640	480	160	135	20	M16x1.5	11	35	M10	68	110	17	G1/4	186	41	9	20	60	14	16	20