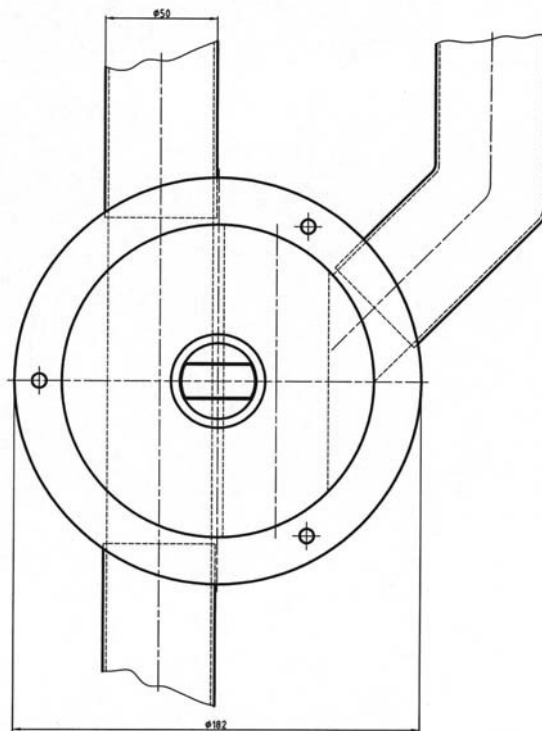


1.3 Two-component switch

Technical description

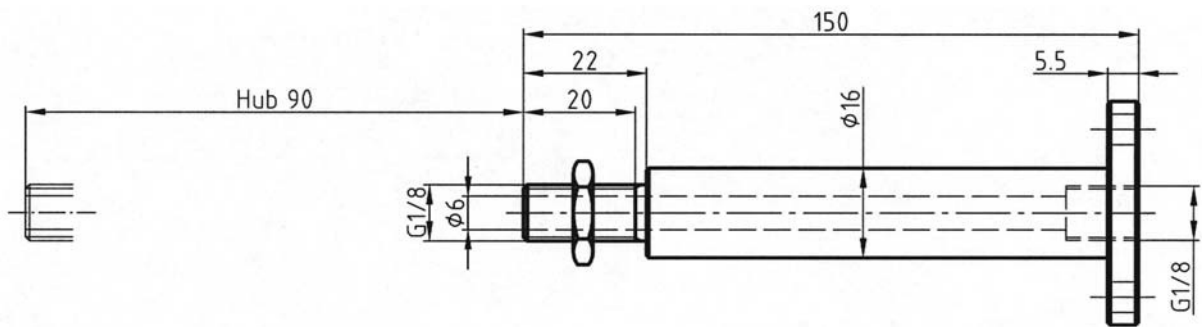
Design	Rotary version
Nominal diameter	50 mm
Function	Opens and closes lines by turning the runner through the flanged rotary drive.
Temperature range	-20°C to +80°C
Medium	Filtered compressed air, oil-bearing, or not oil-bearing
Operating pressure	1 bar to 10 bar



1.4 Air passage

Technical description

Design	2-stage telescoping shape
Nominal diameter	6 mm
Function	Air passage via variable distance, no interfering components within distance area.
Stroke lengths	up to 90 mm (dependent on application)
Temperature range	-20°C to +80°C
Materials	Pipes: aluminium, hard anodized; seals: Perbunan
Medium	Filtered compressed air, oil-bearing, or not oil-bearing
Operating pressure	1 bar to 10 bar



1.5 Pneumatic cylinder with hollow rod

Technical description

Piston diameter	16 mm
Function	Double-action pneumatic cylinder, with hollow piston rod locked to prevent rotating, for compressed-air/vacuum transfer.
Stroke lengths	10 mm, 20 mm
Temperature range	-20°C to +80°C
Materials	Piston rod: stainless steel; cylinder housing: aluminium, hard anodized;
Medium	Filtered compressed air, oil-bearing, or not oil-bearing
Operating pressure	1 bar to 10 bar

