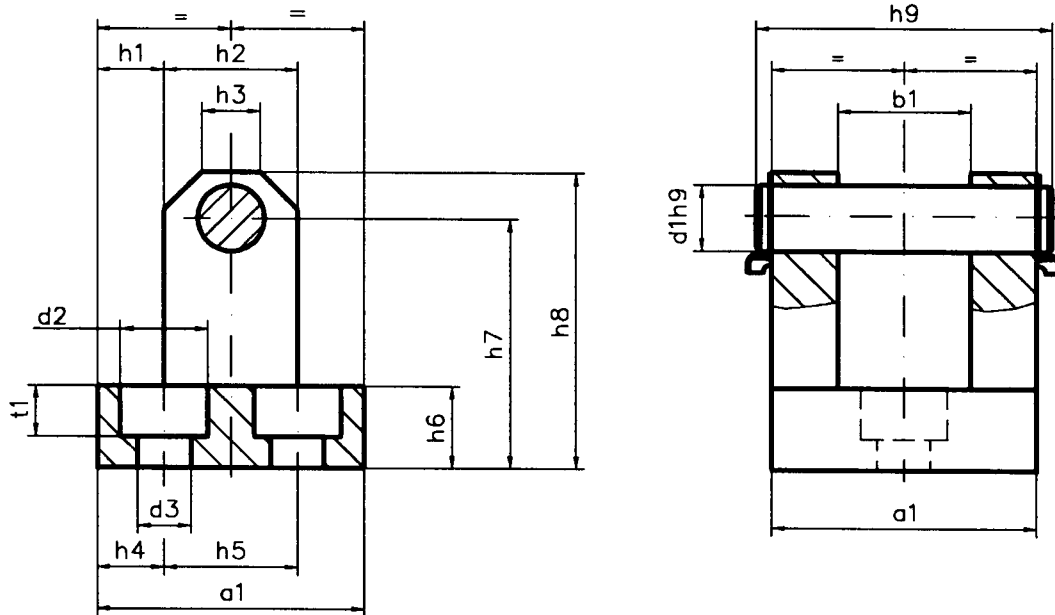


Contents

1	Cylinder accessories	2
1.1	Bracket for Series 10 and 20	2
1.2	Bracket for Series 50 and 60	3
1.3	Bracket for Series 51 and 52	4
1.4	Bracket bolts for Series 51 and 52	4
1.5	Fork head	5
1.6	Hinged head	6
1.7	Flexible coupling	7
1.8	Hex nut (to DIN 439)	7
1.9	Plug-in connections	8
1.9.1	Straight screw-in connection (cylindrical)	8
1.9.2	Angle screw-in connection, rotary (cylindrical)	9
1.9.3	Swivel connection (cylindrical)	10
1.9.4	Swivel non-return valve for compressed air, expelled air, restrictive	11
1.9.5	Swivel non-return valve for compressed air, supply air, restrictive	11
1.10	Silencer	12
1.11	Proximity switch, inductive for round cylinder	13
1.12	Reed proximity switch for round cylinder	14
1.13	Proximity switch, inductive for sectional cylinder	15
1.14	Reed proximity switch for sectional cylinder	16
2	Cylinder accessories made of stainless steel	17
2.1	Fork head	17
2.2	Hinged head	18
2.3	Hex nut (to DIN 439)	18
2.4	Plug-in connections	19
2.4.1	Straight screw-in connection (cylindrical)	19
2.4.2	Angle screw-in connection, rotary (cylindrical)	19

1 Cylinder accessories

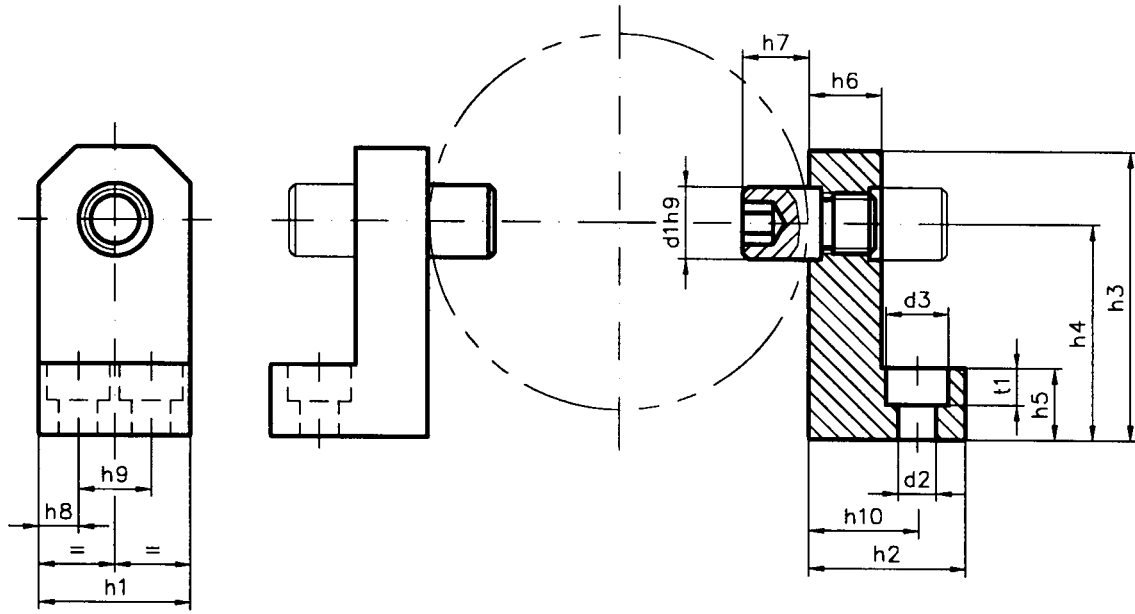
1.1 Bracket for Series 10 and 20



Part No.	for piston ∅	d ₁ h ₉ ∅	d ₂ ∅	d ₃ ∅	h ₁	h ₂	h ₃	h ₄	h ₅	h ₆	h ₇	h ₈	h ₉	a ₁	b ₁	t ₁
00005-53	8	3	5.9	3.2	3	8	6	3.5	7	4	12	16	18	14	6	2.2
00005-54	12	5	7.4	4.3	4.5	10	7	4.5	10	6.5	17	22	25	19	9	4.2
00005-55	16	5	9.4	5.3	6	10	7	5.5	11	8	20	25	28	22	9	5.2
00005-56	20	6	10.4	6.4	6.5	14	7	6.5	14	10	25	32	34	27	12	6.2
00005-57	25	8	10.4	6.4	8	16	7	8	16	10	28	36	40	32	16	6.2

1.2 Bracket for Series 50 and 60

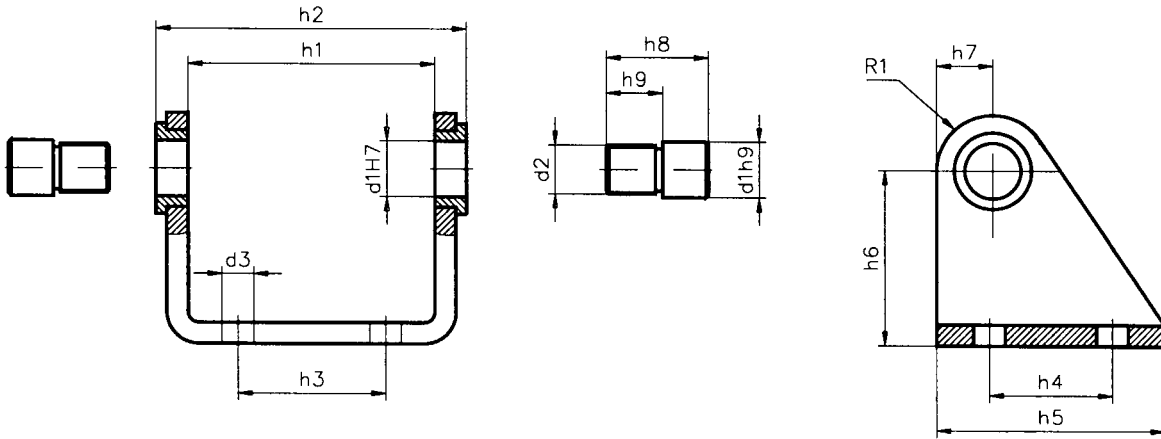
with bolts



Part No.	for piston Ø	d ₁ ,h ₉ Ø	d ₂ Ø	d ₃ Ø	h ₁	h ₂	h ₃	h ₄	h ₅	h ₆	h ₇	h ₈	h ₉	h ₁₀	t ₁
00006-76	32	10	5.3	9.4	22	22	42	32	12	10	8.5	6	10	16	5.2
00006-77	40	12	6.4	10.4	25	25	48	36	12	12	11	6.5	12	18	6.2
00006-78	50	12	6.4	10.4	25	25	57	45	13	12	13	6.5	12	18	6.2
00006-79	63	16	8.4	13.5	30	30	65	50	15	14	14	7.5	15	22	8.3
00006-80	80	16	8.4	13.5	30	30	78	63	15	14	19	7.5	15	22	8.3
00006-81	100	20	10.5	16.5	40	40	91	71	21	20	24	10	20	30	10.5

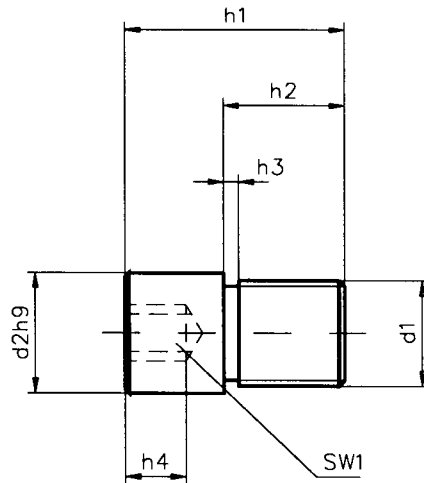
1.3 Bracket for Series 51 and 52

with bolts



Part No.	for piston ∅	d ₁ h ₉ /H7 ∅	d ₂	d ₃ ∅	h ₁	h ₂	h ₃	h ₄	h ₅	h ₆	h ₇	h ₈	h ₉	R ₁
00031-58	32	10	M8x1	7	38.1	50.1	20	24	40	35	12	14.5	6.5	12
00031-59	40	12	M10x1	9	46.1	60.1	28	30	50	40	13	16.5	7	13
00031-60	50	14	M12x1.5	9	57.1	74.1	36	34	54	45	14	21	10	14
00031-61	63	16	M14x1.5	9	70.1	88.1	42	35	65	50	16	29	16	16

1.4 Bracket bolts for Series 51 and 52



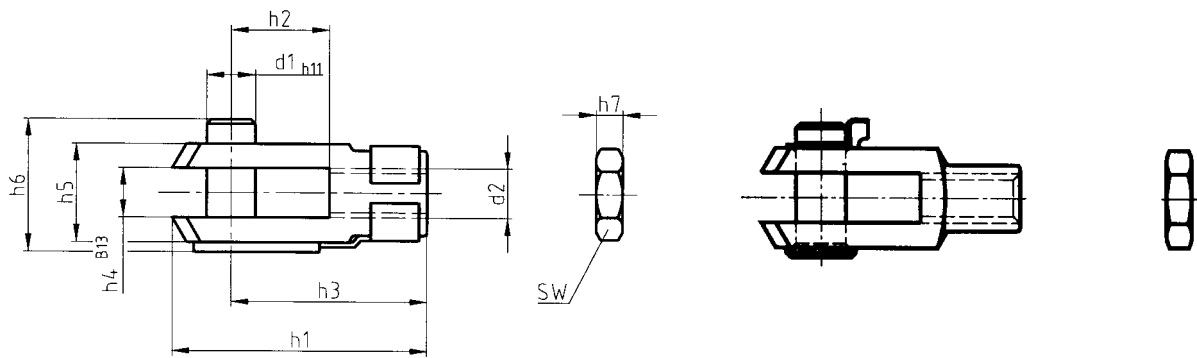
Part No.	d ₁	d ₂ h ₉ ∅	h ₁	h ₂	h ₃	h ₄	sw ₁
40078-72	M8x1	10	14.5	6.5	1	6	5
40078-73	M10x1	12	16.5	7	2	6	6
40078-74	M12x1.5	14	21	10	2	6	6
40078-75	M14x1.5	16	29	16	2	8	8

1.5 Fork head

for swivel cylinder attachment with hex nut to DIN 439 and hinged spring bolts or collar bolts.

Version A Hinged spring bolt

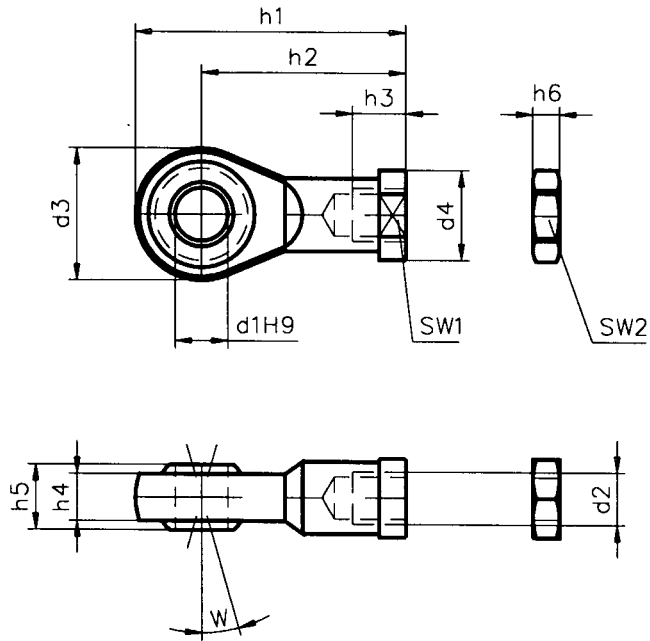
Version B Collar bolt



Part No.	Vers.	d ₁ h ₁₁ ∅	d ₂	h ₁	h ₂	h ₃	h ₄ B13	h ₅	h ₆	h ₇	sw
00033-16	a	4	M4	21	8	16	4	8	11	2.2	7
00006-32	a	5	M5	26	10	20	5	10	13.5	2.7	8
00006-33	a	6	M6	31	12	24	6	12	16	3.2	10
00006-34	a	8	M8	42	16	32	8	16	21.5	4	13
00006-35	a	10	M10	52	20	40	10	20	26	5	17
00022-55	a	10	M10 x 1.25	52	20	40	10	20	26	5	17
00006-36	a	12	M12	62	24	48	12	24	31	6	19
00022-56	a	12	M12 x 1.25	62	24	48	12	24	31	6	19
00033-17	b	16	M16	83	32	64	16	32	42	8	24
00006-37	b	16	M16x1.5	83	32	64	16	32	42	8	24
00033-18	b	20	M20	105	40	80	20	40	50	10	30
00006-38	b	20	M20x1.5	105	40	80	20	40	50	10	30
00006-39	b	25	M24x2	132	50	100	25	50	62	12	36
00027-07	b	30	M27x2	148	55	110	30	54	66	13.5	41
00006-40	b	30	M30x1.5	160	60	120	30	60	72	15	46
00033-20	b	35	M36x2	188	70	144	36	72	92	18	55

1.6 Hinged head

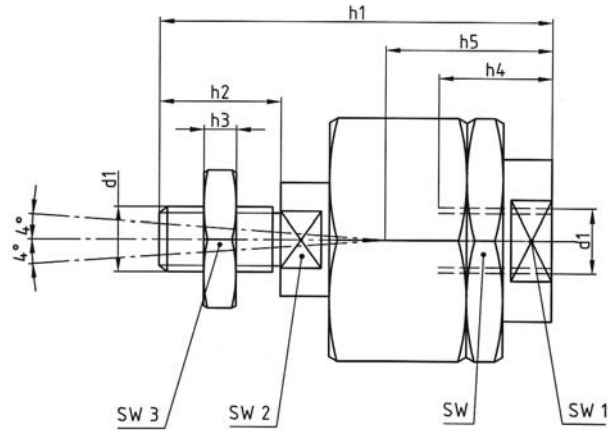
to DIN 648 Size K, maintenance-free with hex nut to DIN 439



Part No.	d ₁ H9 ∅	d ₂	d ₃ ∅	d ₄ ∅	h ₁	h ₂	h ₃	h ₄	h ₅	h ₆	sw ₁	sw ₂	w
00029-24	5	M4	18	11	36	27	10	6	8	6	9	7	13
00029-25	6	M6	20	13	40	30	12	6.75	9	7	11	10	13
00029-26	8	M8	24	16	48	36	16	9	12	12	14	13	13
00022-57	10	M10 x 1.25	28	19	57	43	20	10.5	14	14	17	17	13
00022-58	12	M12 x 1.25	32	22	66	50	22	12	16	17	19	19	13
00022-59	16	M16x1.5	42	27	85	64	28	15	21	28	22	22	15
00022-60	20	M20x1.5	50	34	102	77	33	18	25	45	30	30	15
00037-71	25	M24x2	60	42	124	94	42	22	31	60	36	36	15
00037-72	35	M36x2	80	58	165	125	56	28	43	96	50	55	16

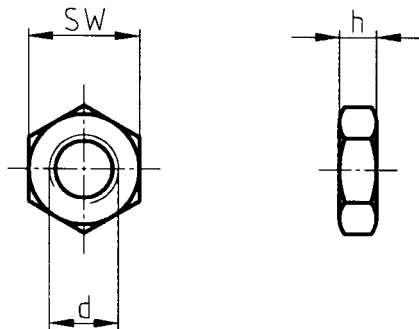
1.7 Flexible coupling

with hex nut to DIN 439



Part No.	PistonØ	d ₁	h ₁	h ₂	h ₃	h ₄	h ₅	sw	sw ₁	sw ₂	sw ₃
00029-28	8-10	M4	33	8	2.2	12.5	16	11	11	3.2	7
00029-29	12-16	M6	37	12	3.2	11.5	15.7	13	7	5	10
00029-30	20	M8	48.5	15	4	14	20.6	17	10	7	13
00029-31	25-32	M10 x 1.25	69.5	20	5	23	31	30	19	12	17
80135-04	25-32	M10	67.5	18	5	23	31	30	19	12	17
80135-07	40	M12 x 1.25	74.5	24	6	24	32	30	19	12	19
80135-06	40	M12	70.5	21	6	23	31	30	19	12	19
80135-09	50-63	M16x1.5	103	32	8	32	44.5	41	30	19	24
80135-11	80-100	M20x1.5	120	40	10	41	46.5	41	30	19	30

1.8 Hex nut (to DIN 439)

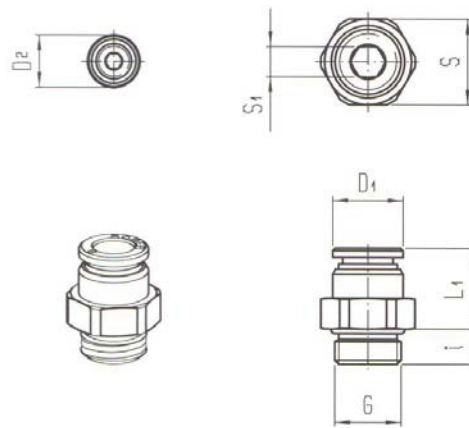


Part No.	d	h	sw
70041-01	M4	2.2	7
70043-01	M6	3.2	10
70044-01	M8	4	13
70045-05	M10 x 1.25	5	17
70045-01	M10	5	16
70046-08	M12 x 1.25	6	19
70046-01	M12	6	18
70048-05	M16x1.50	8	22
70050-03	M20x1.50	10	30

1.9 Plug-in connections

1.9.1 Straight screw-in connection (cylindrical)

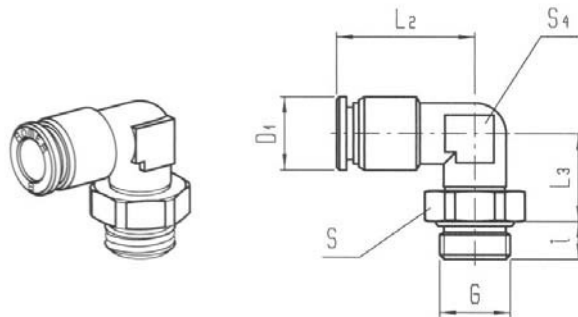
Material: brass, nickel-plated
 Temperature range: -20°C to +80°C
 Thread with fitted NBR O-ring



Part No.	For tube d	Connection G	i	L1	D1	D2	S1	S
80192-21	4	M 5	3.5	16.5	8		2.5	8
80192-49	4	M 7	4.5	15	8	10	3	
80192-22	4	G 1/8	5	14	10		3	13
80192-23	6	M 5	3.5	17.5	10		2.5	10
80192-50	6	M 7	4.5	17	10	10	3	
80192-24	6	G 1/8	5	15	12		4	13
80192-25	6	G 1/4	7	14.5	12		4	17
80192-26	6	G 3/8	8	12	12		4	19
80192-27	8	G 1/8	5	20	14		5	14
80192-28	8	G 1/4	7	16	14		6	17
80192-29	8	G 3/8	8	16	14		6	19
80192-30	10	G 1/4	7	22	16.5		7	17
80192-31	10	G 3/8	8	17.5	16.5		8	19
80192-32	10	G 1/2	9	15.5	16.5		8	24
80192-51	12	G 1/4	7	25	20		7	22
80192-52	12	G 3/8	8	19.5	20		10	22
80192-53	12	G 1/2	9	18.5	20		10	24
80192-54	14	G 3/8	8	25.5	22		10	22
80192-55	14	G 1/2	9	19.5	22		12	24
80192-56	16	G 3/8	8	26.5	24		10	24
80192-57	16	G 1/2	9	19.5	24		12	24
80192-58	22	G 1/2	9	32	32		-	32
80192-59	22	G 3/4	11	31	32		-	32

1.9.2 Angle screw-in connection, rotary (cylindrical)

Not suitable for rotating movements!
 Material: brass, nickel-plated
 Temperature range: 20°C to 80°C
 Thread with fitted NBR O-ring



Part No.	for tube d	Connection G	i	L2	L3	D1	S4	S
80424-03	4	G 1/8	5	20.5	13.5	10	9	13
80424-04	4	G 1/4	7	22	15.5	10	10	17
80424-09	6	G 1/8	5	22	13.5	12	9	13
80424-10	6	G 1/4	7	23.5	15.5	12	10	17
80424-11	8	G 1/8	5	25.5	16	14	12	13
80424-12	8	G 1/4	7	27.5	17.5	14	13	17
80424-13	8	G 3/8	8	27.5	19.5	14	13	19
80424-14	10	G 1/4	7	29.5	17.5	16.5	13	17
80424-15	10	G 3/8	8	29.5	19.5	16.5	13	19
80424-18	12	G 3/8	8	32	19.5	20	17	19

1.9.3 Swivel connection (cylindrical)

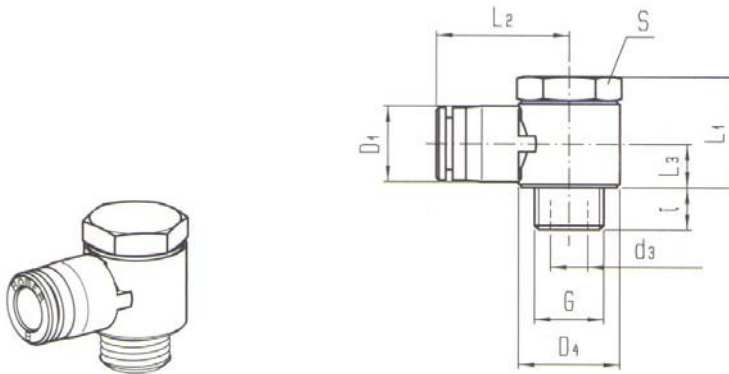
Banjo bolt: brass 58, nickel-plated

Plastic: POM

Seal: NBR

Sealing ring: PA (polyamide)

Temperature range: -20°C to +60°C

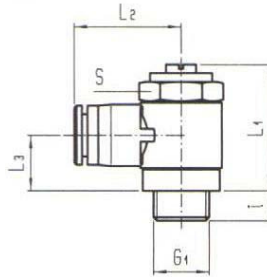


Part No.	for tube d	Connection G	i	L1	L2	L3	d3	D1	D4	S
80537-01	4	M 5	4	14	14	5.3	2	8	9	8
80537-02	4	G 1/8	6.5	20	22	8	5	14.5	15	14
80537-05	6	M 5	4	14	17.5	5.3	2	10	9	8
80537-03	6	G 1/8	6.5	20	22.5	8	5	14.5	15	14
80537-04	6	G 1/4	8	21	24.5	8	7	14.5	19	17
80537-06	8	G 1/8	6.5	20	23	8	5	14.5	15	14
80537-07	8	G 1/4	8	21	25	8	7	14.5	19	17
80537-08	8	G 3/8	9	26.5	28.5	11	9.5	17	22.5	19
80537-09	10	G 1/4	8	25	27.5	10	7	17	19	17
80537-10	10	G 3/8	9	26.5	29	11	9.5	17	22.5	19
80537-11	10	G 1/2	9	27	29	11	12	21	27	27
80537-12	12	G 3/8	9	26.5	31	11	9.5	21	22.5	19
80537-13	12	G 1/2	10	27	33	11	12	21	27	27
80537-14	14	G 1/2	10	31.5	34	13	12	25	27	27
80537-15	16	G 1/2	10	31.5	34	13	12	25	27	27

1.9.4 Swivel non-return valve for compressed air, expelled air, restrictive

Temperature range: -10°C to +80°C

Pressure range: 0.20 to 10 bar

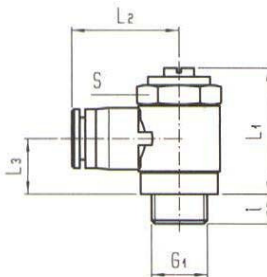


Part No.	DN	Qn value Air [l/min]	Connection G1	Connection on Ring piece D/d	i	L1	L2 max.	L3	S
80180-16	1.5	0 - 70	M 5	4	4	21.5	17.5	7.5	8
80180-17	1.5	0 - 70	M 5	6	4	21.5	18.5	7.5	8
80180-26	2.5	0 - 280	G 1/8	4	5	30	22	12	14
80180-22	2.5	0 - 280	G 1/8	6	5	30	22.5	12	14
80180-27	2.5	0 - 280	G 1/8	8	5	30	23	12	14
80180-28	4.5	0 - 400	G 1/4	6	6.5	32	24.5	13	17
80180-29	4.5	0 - 400	G 1/4	8	6.5	32	25	13	17

1.9.5 Swivel non-return valve for compressed air, supply air, restrictive

Temperature range: -10°C to +80°C

Pressure range: 0.20 to 10 bar



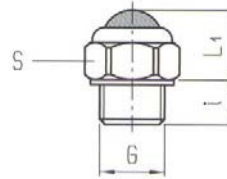
Part No.	DN	Qn value Air [l/min]	Connection G1	Connection on Ring piece D/d	i	L1	L2 max.	L3	S
80180-42	1.5	0 - 70	M 5	4	4	21.5	17.5	7.5	8
80180-20	1.5	0 - 70	M 5	6	4	21.5	18.5	7.5	8
80180-43	2.5	0 - 280	G 1/8	4	5	30	22	12	14
80180-18	2.5	0 - 280	G 1/8	6	5	30	22.5	12	14
80180-44	2.5	0 - 280	G 1/8	8	5	30	23	12	14
80180-45	4.5	0 - 400	G 1/4	6	6.5	32	24.5	13	17
80180-46	4.5	0 - 400	G 1/4	8	6.5	32	25	13	17

1.10 Silencer

Material: brass, bright

Noise damper insert: wire mesh

Temperature range: 40°C to 130°C



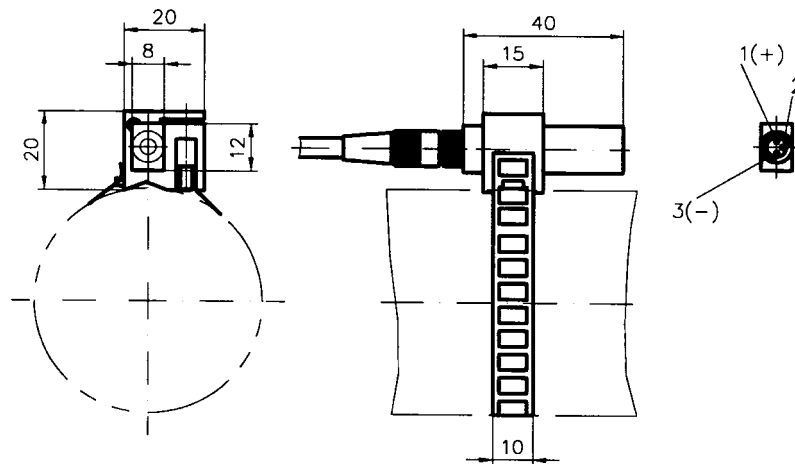
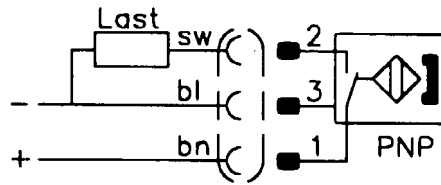
Part No.	Connection G	i	L1	d	S
80110-06	M 5	5			
80110-01	G 1/8	6.5	13	15.5	13
80110-02	G 1/4	9	14	19	17
80110-03	G 1/4	9	17	24	22
80110-04	G 3/8	9	17	24	22
80110-05	G 1/2	9	19.5	30	27
80110-07	G 3/4	11	16	34.5	30

1.11 Proximity switch, inductive for round cylinder

with fixing kit for round cylinder
Piston diameter 12 to 100 mm

Technical specifications

Design	Electronic, noncontacting proximity switch
Switching voltage	10 to 30 V DC
Switching current	200 mA
Switching frequency	500 Hz
Response sensitivity	2 mT
Output	Protected against polarity reversal, short-circuit-proof
Hysteresis	Typical 1 mm
Temperature range	-25°C to +75°C
Display	LED
Materials	Housing: plastic
Connection	3-wire PUR cable (3x 0.25 mm) highly flexible, 3 m long, with M8 union nut



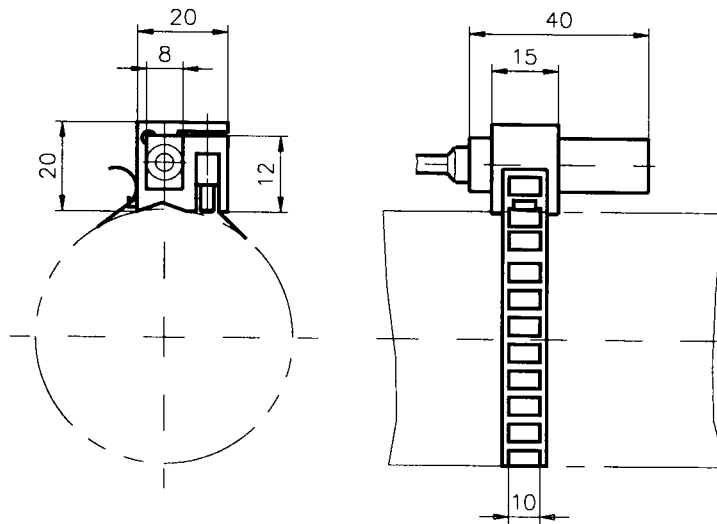
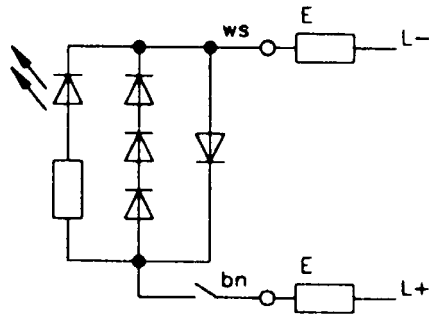
Part No.	For pistonØ
00035-13	12 to 25 mm
00035-14	32 to 63 mm
00037-73	80 to 100 mm

1.12 Reed proximity switch for round cylinder

with fixing kit for round cylinder
Piston diameter 12 to 100 mm

Technical specifications

Design	Electric sensor for contactless position display by means of magnetic field
Switching voltage	10 to 70 V AC/DC
Switching current	0.5a
Switching power	10 W/12 VA
Contact type	NO
Protection type	IP 67 (DIN 40 050)
Temperature range	-25°C to +75°C
Display	LED
Materials	Housing: plastic; cable: PUR
Connection	3-wire cable (3x 0.25 mm) highly flexible, 3 m long



Part No.	For piston∅
00035-15	12 to 25 mm
00035-16	32 to 63 mm
00037-74	80 to 100 mm

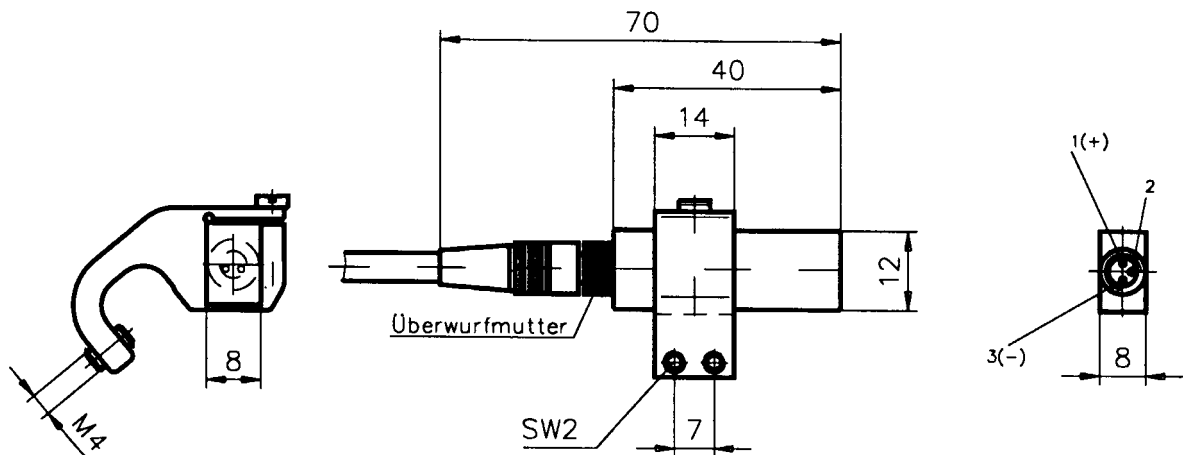
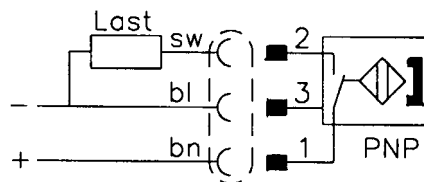
1.13 Proximity switch, inductive for sectional cylinder

with fixing kit for sectional cylinder

Piston diameter: 32 to 125 mm

Technical specifications

Design	Electronic, noncontacting proximity switch
Switching voltage	10 to 30 V DC
Switching current	200 mA
Switching frequency	500 Hz
Response sensitivity	2 mT
Output	Protected against polarity reversal, short-circuit-proof
Hysteresis	Typical 1 mm
Temperature range	-25°C to +75°C
Display	LED
Materials	Housing: plastic
Connection	3-wire PUR cable (3x 0.25 mm) highly flexible, 3 m long, with M8 union nut



Part No.	For pistonØ
00036-08	32 to 40 mm
00036-09	50 to 100 mm
00037-22	125 mm

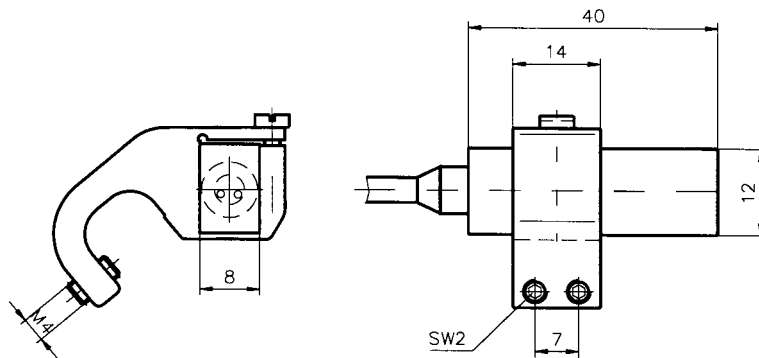
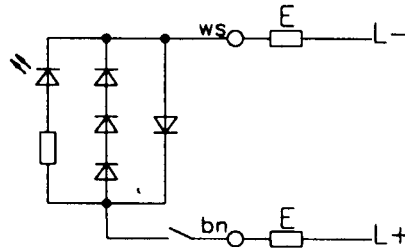
1.14 Reed proximity switch for sectional cylinder

with fixing kit for sectional cylinder

Piston diameter: 32 to 125 mm

Technical specifications

Design	Electric sensor for contactless position display by means of magnetic field
Switching voltage	10 to 70 V AC/DC
Switching current	0.5a
Switching power	10 W/12 VA
Contact type	NO
Protection type	IP 67 (DIN 40 050)
Temperature range	-25°C to +75°C
Display	LED
Materials	Housing: plastic; cable: PUR
Connection	3-wire cable (3x 0.25 mm) highly flexible, 3 m long

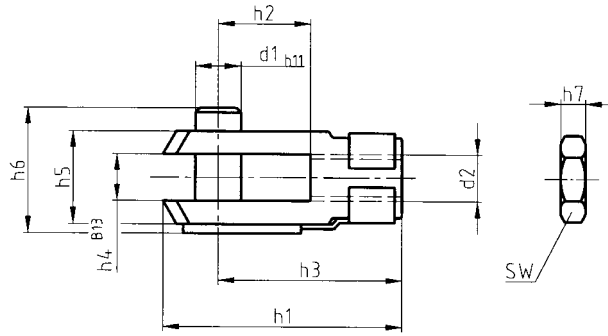


Part No.	For piston∅
00036-47	32 to 40 mm
00036-50	50 to 100 mm
00036-51	125 mm

2 Cylinder accessories made of stainless steel

2.1 Fork head

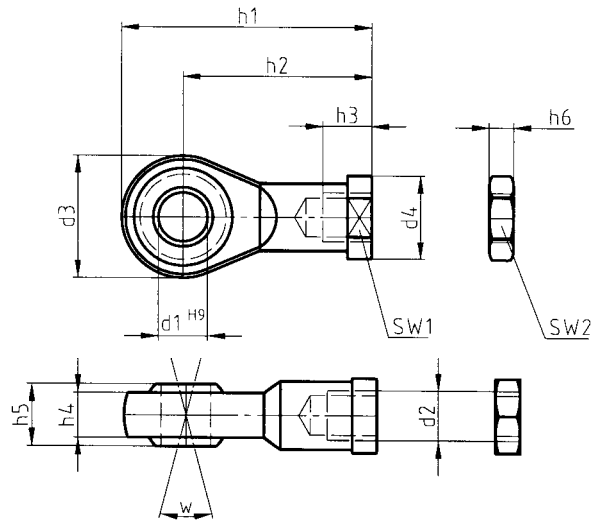
for swivel cylinder attachment with hex nut to DIN 439 and collar bolts.
Material: stainless steel to DIN 1.4305



Part No.	Piston Ø	d ₁ ,h ₁₁ Ø	d ₂	h ₁	h ₂	h ₃	h ₄ B13	h ₅	h ₆	h ₇	sw
00056-15	25	10	M10 x 1.25	52	20	40	10	20	28	5	17
00056-15	32	10	M10 x 1.25	52	20	40	10	20	28	5	17
00056-16	40	12	M12 x 1.25	62	24	48	12	24	31	6	19
00056-17	50	16	M16x1.5	83	32	64	16	32	42	8	24
00056-17	63	16	M16x1.5	83	32	64	16	32	42	8	24
00056-18	80	20	M20x1.5	105	40	80	20	40	50	10	30
00056-18	100	20	M20x1.5	105	40	80	20	40	50	10	30

2.2 Hinged head

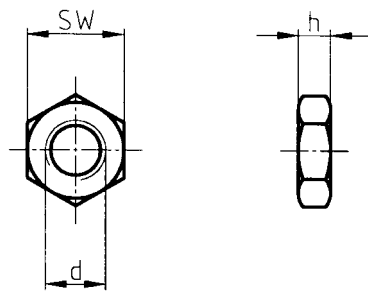
to DIN 648 Size K, maintenance-free with hex nut to DIN 439
Material: stainless steel to DIN 1.4057



Part No.	Piston Ø	d ₁ H9 Ø	d ₂	d ₃ Ø	d ₄ Ø	h ₁	h ₂	h ₃	h ₄	h ₅	h ₆	sw ₁	sw ₂	w
00056-20	25	10	M10 x 1.25	28	19	57	43	20	10.5	14	5	17	17	13
00056-20	32	10	M10 x 1.25	28	19	57	43	20	10.5	14	5	17	17	13
00056-21	40	12	M12 x 1.25	32	22	66	50	22	12	16	6	19	19	13
00056-22	50	16	M16x1.5	42	27	85	64	28	15	21	8	22	22	15
00056-22	63	16	M16x1.5	42	27	85	64	28	15	21	8	22	22	15
00056-23	80	20	M20x1.5	50	34	102	77	33	18	25	10	30	30	15
00056-23	100	20	M20x1.5	50	34	102	77	33	18	25	10	30	30	15

2.3 Hex nut (to DIN 439)

to DIN 439 Material: stainless steel to DIN 1.4301

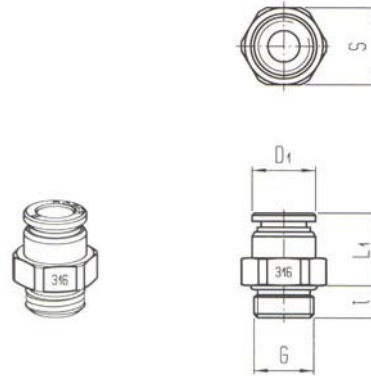


Part No.	Piston Ø	d	h	sw
70045-06	25	M10 x 1.25	5	17
70045-06	32	M10 x 1.25	5	17
70046-10	40	M12 x 1.25	6	19
70048-06	50	M16x1.5	8	24
70048-06	63	M16x1.5	8	24
70050-04	80	M20x1.5	10	30
70050-04	100	M20x1.5	10	30

2.4 Plug-in connections

2.4.1 Straight screw-in connection (cylindrical)

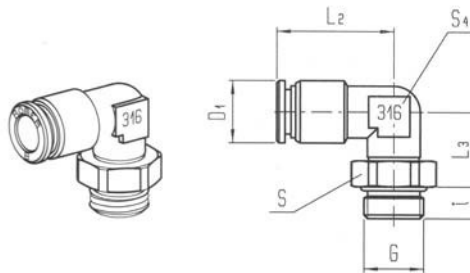
Material: stainless steel AISI 316
 Temperature range: 20°C to 120°C
 Thread with fitted FKM O-ring



Part No.	For tube d	Connection G	i	L1	D1	S
80539-01	4	M 5	3.5	16.5	8	8
80539-02	4	G 1/8	5	14	10	13
80539-03	6	M 5	3.5	17.5	10	10
80539-04	6	G 1/8	5	15	12	13
80539-05	6	G 1/4	7	14.5	12	17
80539-06	8	G 1/8	5	20	14	14
80539-07	8	G 1/4	7	16	14	17
80539-08	8	G 3/8	8	16	14	19
80539-09	10	G 1/4	7	22	16.5	17
80539-10	10	G 3/8	8	17.5	16.5	19
80539-11	10	G 1/2	9	15.5	16.5	24

2.4.2 Angle screw-in connection, rotary (cylindrical)

Not suitable for rotating movements!
 Material: stainless steel AISI 316
 Temperature range: -20°C to +120°C
 Thread with fitted FKM O-ring



Part No.	For tube d	Connection G	i	L2	L3	D1	S4	S
80540-01	4	G 1/8	5	22	15	10	10	13
80540-02	6	G 1/8	5	23.5	15	12	10	13
80540-03	6	G 1/4	7	23.5	15.5	12	10	17
80540-04	8	G 1/8	5	27.5	16.5	14	13	13
80540-05	8	G 1/4	7	27.5	17.5	14	13	17
80540-06	8	G 3/8	8	27.5	19.5	14	13	19
80540-07	10	G 1/4	7	29.5	17.5	16.5	13	17
80540-08	10	G 3/8	8	29.5	19.5	16.5	13	19

