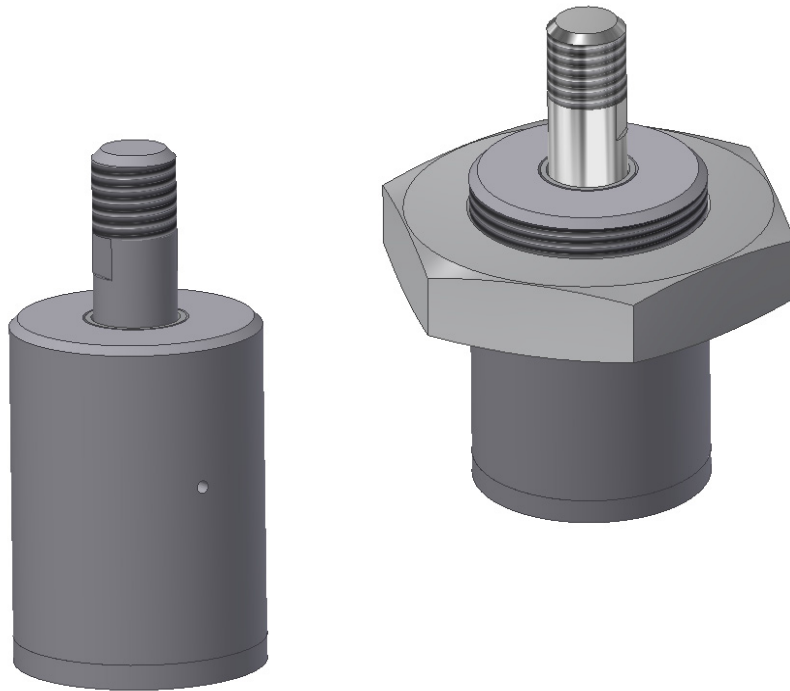


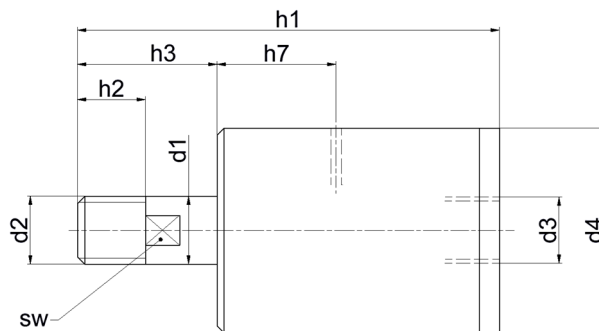
**SERIES 25**  
**Round cylinder**  
**Single effect with spring reset**



Technical characteristics	
<b>Design type</b>	Round cylinder Cylinder can be repaired easily.
<b>Function</b>	Single effect with spring reset
<b>Piston diameter in mm</b>	8, 12, 16, 20, 25
<b>Stroke in mm</b>	6
<b>Pneumatic connection</b>	-M5 -G1/8
<b>Installation position</b>	Any
<b>Temperature range</b>	-20°C to +80°C
<b>Materials</b>	- Piston rod from stainless steel - Cylinder housing from brass
<b>Seals</b>	- Perbunan
<b>Damping</b>	Without damping
<b>Other</b>	- Heat-resistant seals upon request - Customer-specific solutions upon request - Seal kits upon request
Pneumatic parameters	
<b>Medium</b>	Compressed air quality: 2.2.1 compliant with ISO 8573-1 (2=particle / 2=dew point / 1=oil concentration)
<b>Operating pressure in bar</b>	1 to 10

## Mounting 51

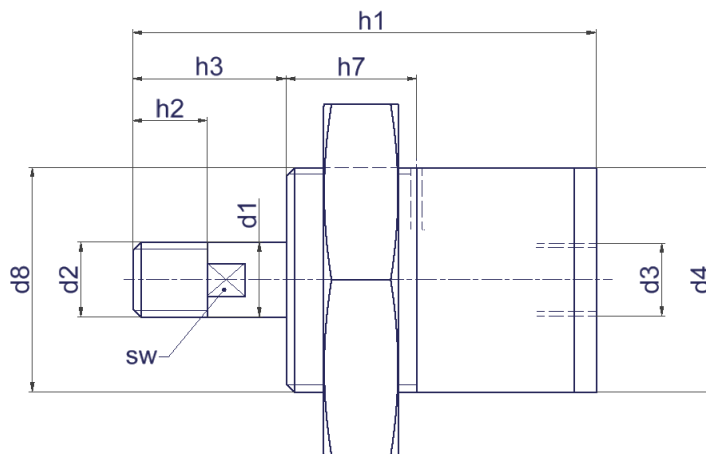
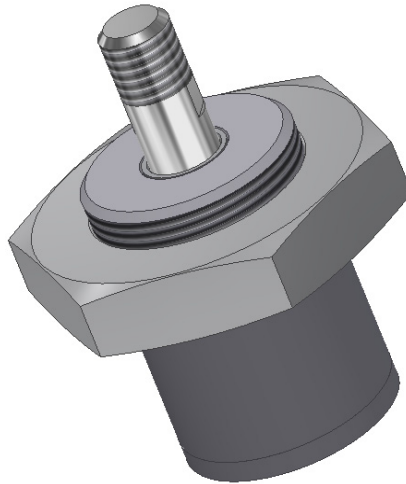
### Basic design



Part no.	Piston Ø	Stroke	d <sub>1</sub> Ø	d <sub>2</sub>	d <sub>3</sub>	d <sub>4</sub> Ø	h <sub>1</sub>	h <sub>2</sub>	h <sub>3</sub>	h <sub>5</sub>	sw
00016-46	8	6	4	M4	M5	12	33	8	8	6.5	-
00016-47	12	6	5	M5	M5	16	36.5	8	10	9.5	-
00016-48	16	6	6	M6	M5	20	45	10	12	12	-
00016-49	20	6	8	M8	G1/8	25	52	10	16	15	7
00016-50	25	6	10	M10	G1/8	30	61.5	10	20	17.5	9

## Mounting 53

### Front thread mounting



Part no.	PistonØ	Stroke	d <sub>1</sub> Ø	d <sub>2</sub>	d <sub>3</sub>	d <sub>4</sub> Ø	d <sub>8</sub>	h <sub>1</sub>	h <sub>2</sub>	h <sub>3</sub>	h <sub>7</sub>	sw
00007-51	8	6	4	M4	M5	12	M12x1,5	33	8	8	12	-
00016-52	12	6	5	M5	M5	16	M16x1,5	36.5	8	10	12	-
00016-53	16	6	6	M6	M5	20	M20x1,5	45	10	12	12	-
00010-85	20	6	8	M8	G1/8	25	M24x1,5	52	10	16	15	7
00016-55	25	6	10	M10	G1/8	30	M30x1,5	61.5	10	20	17.5	9