

**Series R3**  
**Stainless-steel round cylinder**  
**double effect**

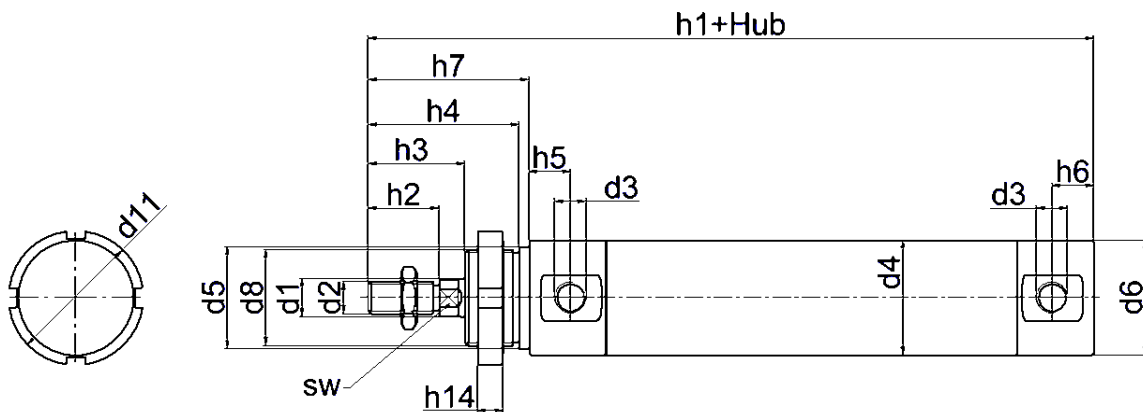


Technical characteristics	
<b>Design type</b>	Stainless-steel round cylinder. Hygienic and easy to clean thanks to their round and smooth design. Front and end pieces bolted together with the cylinder pipe, so these cylinders are repairable.
<b>Function</b>	Double effect
<b>Piston diameter in mm</b>	16, 20, 25, 32, 40, 50, 63, 80, 100, 125
<b>Stroke length in mm</b>	Freely selectable, max. 500 mm
<b>Connection</b>	M5, G1/8, G1/4, G3/8, G1/2
<b>Installation position</b>	Any
<b>Temperature range</b>	-20°C to +80°C
<b>Materials</b>	- Piston rod from stainless steel, 1.4301 - Cylinder pipe from stainless steel, 1.4301 - Front and end pieces from stainless steel, 1.4301
<b>Stripper version 1: Standard</b>	Ambient temperature [°C] -20 to +80 Seal material <sup>1</sup> PU Fulfills the criteria of EU regulation no. 10/2011 The material has been constructed in compliance with FDA regulations.
<b>Stripper version 2: Suitable for dry running</b>	Ambient temperature [°C] -20 to +80 Seal material <sup>1</sup> PE / silicone / stainless steel <b>PE:</b> complies with FDA regulations 21 CFR 177.15420 "Olefin Polymers" and 21 CFR 178.2010 "Antioxidants and/or stabilizers for polymers". Also it complies with the European Directive 2002/72/EC "plastic materials and articles intended to come into contact with foodstuffs" and with Recommendation III of the German Federal Institute for Risk Assessment (BfR). <b>Silicone:</b> is suitable for food contact according FDA 21 CFR 177.2600 "Indirect Food Additives (Polymers)- Substance for Use Only as Component of Articles Intended for Repeated Use (Rubber Articles)". Also it complies with Recommendation XV of German Federal Institute for Risk Assessment (BfR)
<b>Stripper version 3: High temperature</b>	Ambient temperature [°C] -20 to +120 Seal material <sup>1</sup> Viton Not suitable for food contact
<b>Other seals Standard</b>	- Perbunan
<b>Damping</b>	Elastic end position damping

<b>Lubricant</b>	Approved to USDA-H1
<b>Other</b>	<ul style="list-style-type: none"> <li>- With magnetic pistons</li> <li>- Heat-resistant seals upon request</li> <li>- Customer-specific solutions upon request</li> <li>- Seal kits upon request</li> </ul>
<b>Medium</b>	<p>Compressed air quality: 2.2.1 compliant with ISO 8573-1            (2=particle / 2=dew point / 1=oil concentration)            and VDMA 15390. Take into account the environmental influences in the operating location when you choose the method of filtering and drying compressed air. The operator must choose the filter, dryer and oil classes compliant with ISO 8573-1. For assistance in choosing the compressed air quality, refer to VDMA 15390. Avoid switching from oiled compressed air to non-oiled compressed air or vice versa, for example, for the entire service life. Due to the variety of ambient influences, we cannot assume any liability and warranty for the correctness of our recommendations in individual cases.</p>
<b>Operating pressure in bar</b>	1 to 10
<b>Labelling</b>	<p>Laser labelling, meaning that it cannot be lost, is hygienic and easy to clean.            Customer logo upon request</p>

1) Gaskets are suitable for aggressive media as found in the foodstuffs and chemical industry. If necessary, inspect the materials for their resistance to the media. Due to the variety of potential media, we cannot assume any liability and warranty for the correctness of our recommendations in individual cases.

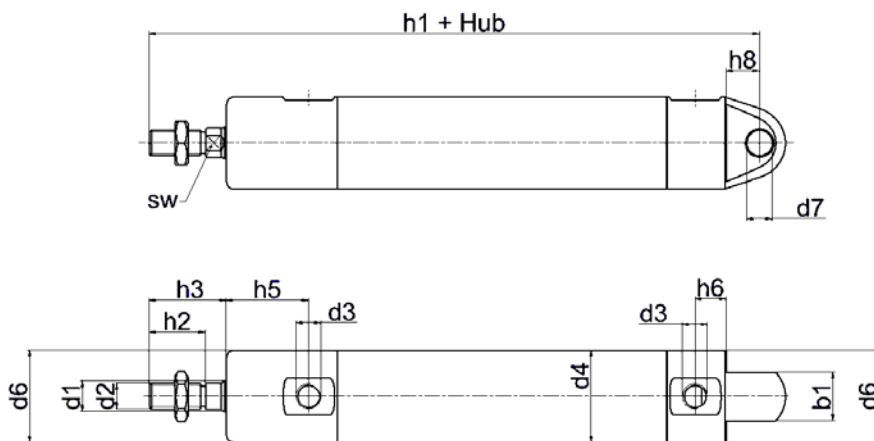
**Mounting 53**  
**Front thread mounting**



Piston Ø	d1 Ø	d2	d3	d4 Ø	d5 Ø h9	d6 Ø	d8	d11 Ø	h1	h2	h3	h4	h5	h6	h7	h14	SW
16	6	M6	M5	20	16	22	M16x1.5	SW22	96	16	21	36	6	6	38	5	5
20	8	M8	G1/8	25	22	27	M22x1.5	SW27	110	20	24	42	10	10	44	6	7
25	10	M10x1.25	G1/8	30	22	33	M22x1.5	SW27	122	22	28	48	10	10	50	6	9
32	12	M10x1.25	G1/8	36	32	36	M30x1.5	42	126	22	30	47	13	13	50	8	10
40	16	M12x1.25	G1/8	45	40	45	M38x1.5	50	139	24	33	53	14	14	56	10	13
50	20	M16x1.5	G1/4	55	45	55	M42x1.5	60	162	32	42	70	14	14	73	12	17
63	20	M16x1.5	G3/8	68	45	68	M42x1.5	60	177	32	42	70	16	16	73	12	17
80	25	M20x1.5	G3/8	86	60	86	M58x1.5	85	200	40	50	87	16	16	90	13	22
100	25	M20x1.5	G3/8	106	60	106	M58x1.5	85	210	40	50	92	18	18	95	13	22
125	32	M27x2	G1/2	132	62	132	M60x2	85	254	54	69	116	18	18	119	13	27

## Mounting 55

### Rear swivel mounting



Piston Ø	d1 Ø	d2	d3	d4 Ø	d6 Ø	d7 Ø H7	h1	h2	h3	h5	h6	h8	b1	sw
16	6	M6	M5	20	22	6	98	16	21	23	6	9	12	5
20	8	M8	G1/8	25	27	8	115	20	24	30	10	12	16	7
25	10	M10x1.25	G1/8	30	33	8	126	22	28	32	10	12	16	9
32	12	M10x1.25	G1/8	36	36	10	137	22	30	33	13	13	19	10
40	16	M12x1.25	G1/8	45	45	12	154	24	33	37	14	17	24	13
50	20	M16x1.5	G1/4	55	55	12	177	32	42	45	14	17	28	17
63	20	M16x1.5	G3/8	68	68	16	197	32	42	47	16	20	30	17
80	25	M20x1.5	G3/8	86	86	16	220	40	50	56	16	21	40	22
100	25	M20x1.5	G3/8	106	106	20	240	40	50	63	18	25	50	22
125	32	M27x2	G1/2	132	132	20	279	54	69	68	18	28	60	27